

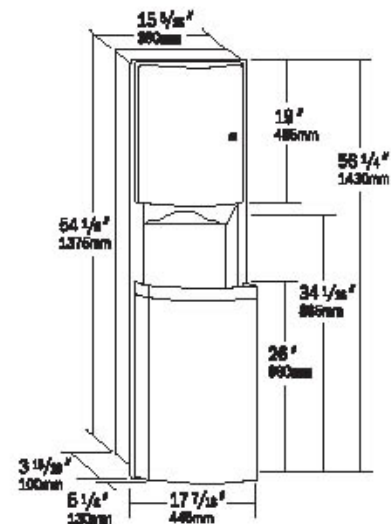
Distributed by  
[www.PandaProducts.com](http://www.PandaProducts.com)  
Phone: (800) 608-6568  
Fax: (409) 840-5545  
[info@pandaproducts.com](mailto:info@pandaproducts.com)



**WASHROOM ACCESSORIES**



**BUILDING VALUE SINCE 1906**



**B-43944 ConturaSeries® RECESSED PAPER TOWEL DISPENSER/WASTE RECEPTACLE**



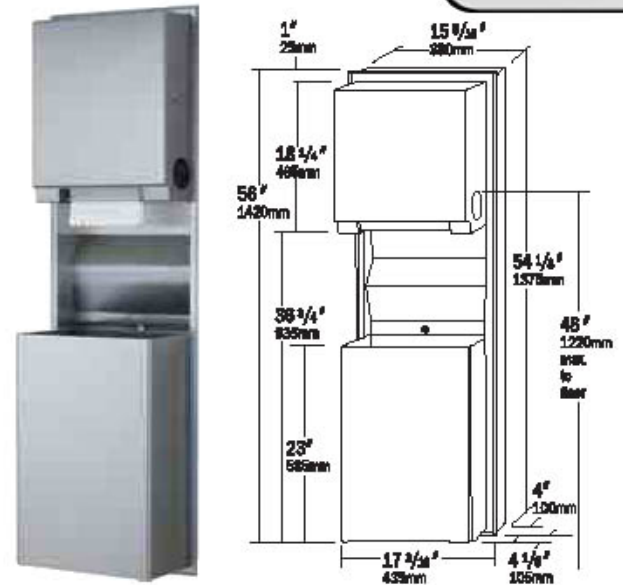
Satin-finish stainless steel. Flush tumbler lock. Dispenses 600 C-fold or 800 multifold towels. Waste receptacle has 14, 2-gal. (53.7L) capacity; extends 5 1/8" (130mm) from wall. Removable front panel for easy cleaning. Rough Wall Opening: 16" W, 54 3/4" H, 4" min. depth (405 x 1390 x 100mm). Av. Mtg. Ht.: 67-74" (1700-1880mm) to top of unit; Barrier-Free, 61 3/4" (1555mm).

**B-43949** Similar to B-43944, but with skirt for surface mounting.

**REUSABLE HEAVY-GAUGE VINYL LINERS:**

ORDER PART NO.	FOR MODEL NO.
3944-12	B-3961, B-39619, B-3944, B-3942, B-3949, 367-60, B-43944, B-43949
368-16	B-39617, B-3947, 368-60
4369-22	B-4369, B-43699





**B-3944 ClassicSeries™ RECESSED CONVERTIBLE PAPER TOWEL DISPENSER/WASTE RECEPTACLE**



Unit includes convertible folded paper towel module and 12-gallon waste receptacle module which can be interchanged with a universal touch-free roll towel module and 18-gallon waste receptacle module, respectively. Cabinet is not replaced when changing modules. Satin-finish stainless steel. Seamless beveled flange. Dispenses 600 C-fold or 800 multifold towels. Removable waste receptacle is locked into cabinet. Receptacle is 8" (205mm) deep with capacity of 12-gal. (45.4L); extends 4 1/8" (105mm) from wall. Rough Wall Opening: 16" W, 54 3/4" H, 4" min. depth (405 x 1390 x 100mm). Av. Mtg. Ht.: 67-74" (1700-1880mm) to top of unit; Barrier-Free, 60 1/2" (1535mm). Patent pending.

**B-3942** Similar to B-3944, but with skirt for semi-recessing in 2" (50mm) walls.

**B-3949** Similar to B-3944, but with skirt for surface mounting.

**B-3947** Similar to B-3944, but with 18-gallon (68.0-L) waste receptacle.

**B-3961 ClassicSeries RECESSED CONVERTIBLE PAPER TOWEL DISPENSER/WASTE RECEPTACLE**



Unit includes convertible universal, roll paper towel module and 12-gallon waste receptacle module which can be interchanged with a folded towel module and 18-gallon waste receptacle module, respectively. Cabinet is not replaced when changing modules. Satin-finish stainless steel. Seamless beveled flange. Touch-free, pull-towel mechanism dispenses 12" (305mm) length per pull of universal roll paper towels. Accommodates 8" (205mm) wide, up to 8" (205mm) diameter rolls, 800 ft (244m) long, plus 3 1/2" (90mm) diameter stub roll with automatic transfer. Removable waste receptacle is locked into cabinet. Receptacle is 8" (205mm) deep with capacity of 12-gal. (45.4L); extends 4 1/8" (105mm) from wall. Rough Wall Opening: 16" W, 54 3/4" H, 4" min. depth (405 x 1390 x 100mm). Av. Mtg. Ht.: 67-74" (1700-1880mm) to top of unit; Barrier-Free, 60 1/2" (1535mm). Patent pending.

**B-39619** Similar to B-3961, but with skirt for surface mounting.

**B-39617** Similar to B-3961, but with 18-gallon (68.0L) waste receptacle.



**3961-50** Convertible touch-free, pull-towel universal roll towel dispenser module is interchangeable with folded towel dispenser module. Patent pending.



**3944-52** Convertible folded towel dispenser module is interchangeable with touch-free, pull-towel universal roll towel dispenser module. Patent pending.



**368-60** Interchangeable 18-gallon waste receptacle module.



**368-60** Interchangeable 18-gallon waste receptacle module.

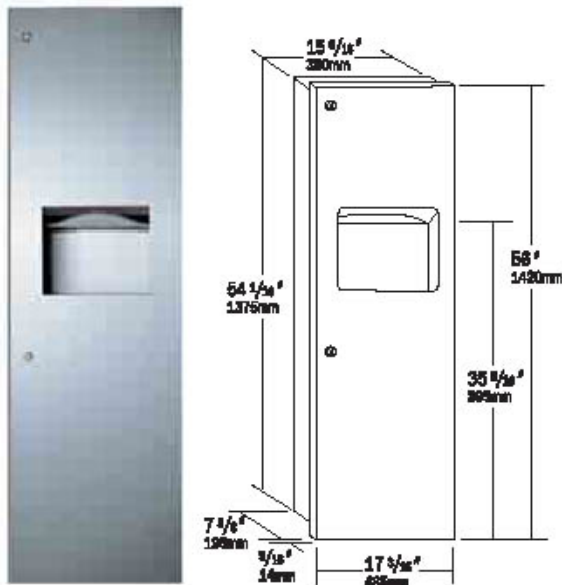


**367-60** Interchangeable 12-gallon waste receptacle module.



**367-60** Interchangeable 12-gallon waste receptacle module.

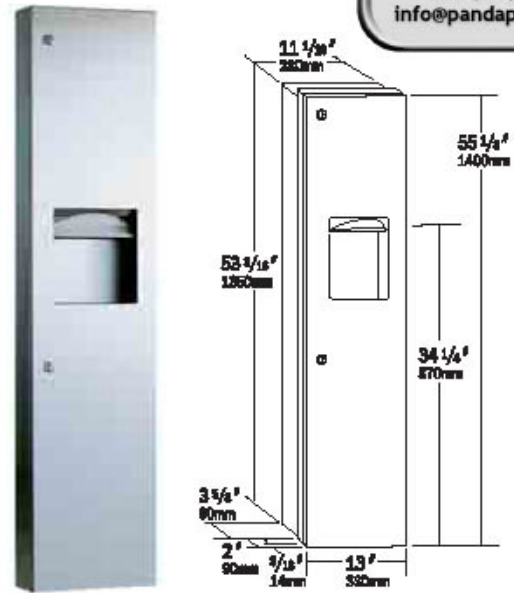
Distributed by  
 www.PandaProducts.com  
 Phone: (800) 608-6568  
 Fax: (409) 840-5545  
 info@pandaproducts.com



**B-39003 TrimLineSeries™ RECESSED PAPER TOWEL DISPENSER/WASTE RECEPTACLE**

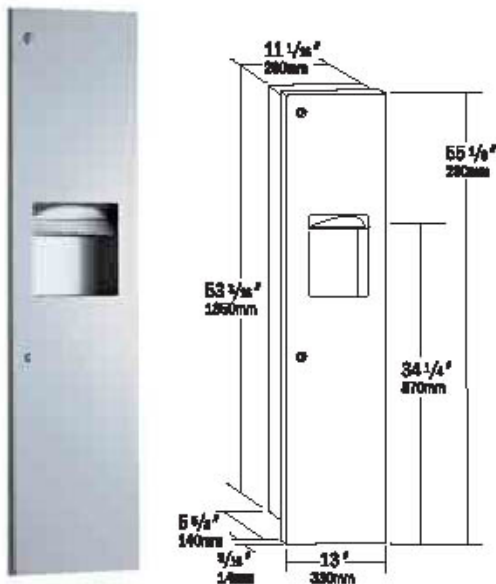
Satin-finish stainless steel. Door has 90° return, conceals flange. Dispenses 600 C-fold, 800 multifold or 1100 singlefold towels. Removable leak-proof, 1.2-gal. (45.4L) waste container. Rough Wall Opening: 16" W, 54 3/4" H, 7 7/8" min. depth (405 x 1390 x 200mm). Av. Mtg. Ht.: 67-74" (1700-1880mm) to top of unit; Barrier-Free, 60 1/2" (1535mm).

**B-390034** Similar to B-39003, but with stainless steel skirt for semi-recessing in 4" (100mm) walls.



**B-38032 TrimLineSeries SEMI-RECESSED PAPER TOWEL DISPENSER/WASTE RECEPTACLE**

Satin-finish stainless steel. Door has 90° return, conceals flange. Skirt for 4" (100mm) walls. Dispenses 600 C-fold, 800 multifold or 1100 singlefold towels. Uncovered, removable, leak-proof, 6.3-gal. (24L) waste container. Rough Wall Opening: 11 1/2" W, 53 5/8" H, 3 3/4" min. depth (290 x 1360 x 95mm). Av. Mtg. Ht.: 67-74" (1700-1880mm) to top of unit; Barrier-Free, 60 3/4" (1545mm).



**B-3803 TrimLineSeries RECESSED PAPER TOWEL DISPENSER/WASTE RECEPTACLE**

Satin-finish stainless steel. Door has 90° return, conceals flange. Dispenses 600 C-fold, 800 multifold or 1100 single-fold towels. Removable, leak-proof, 6.3-gal. (24L) waste container. Rough Wall Opening: 11 1/2" W, 53 5/8" H, 5 3/4" min. depth (290 x 1360 x 145mm). Av. Mtg. Ht.: 67-74" (1700-1880mm) to top of unit; Barrier-Free, 60 3/4" (1545mm).

**B-38034** Similar to B-3803, but requires 3 3/4" (95mm) min. depth. Waste capacity: 3.8-gal. (14.4L). Dispenses C-fold and multifold towels.

**B-380349** Similar to B-38034, but with skirt for surface mounting.

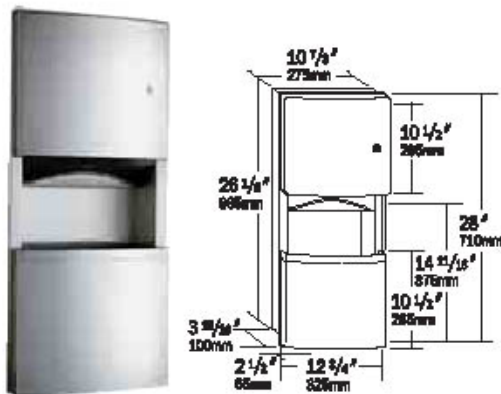



**B-396034 TrimLineSeries SEMI-RECESSED ROLL TOWEL DISPENSER/WASTE RECEPTACLE**

Satin-finish stainless steel. Door has 90° return, conceals flange. Dispenses paper rolls 8" (205mm) wide, 800 ft (244 m) long in preset lengths, 2 1/2", 4" or 5" (65, 100 or 125mm) per stroke. Removable, leak-proof, 8.6-gal. (32.6L) waste container. Extends 6 1/2" (155mm) from wall. Rough Wall Opening: 14 1/2" W, 39 5/8" H, 3 1/2" min. depth (370 x 1005 x 90mm). Av. Mtg. Ht.: 67-74" (1700-1880mm) to top of unit; Barrier-Free, 45 1/2" (1155mm).

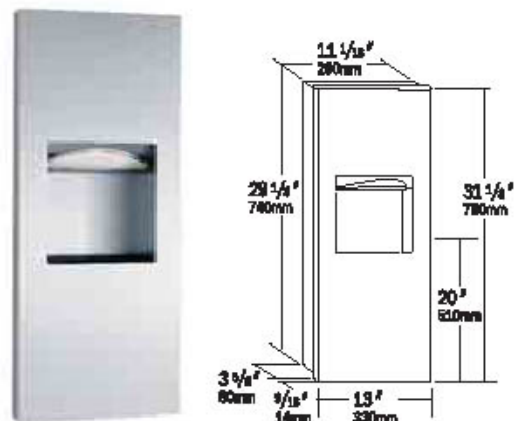




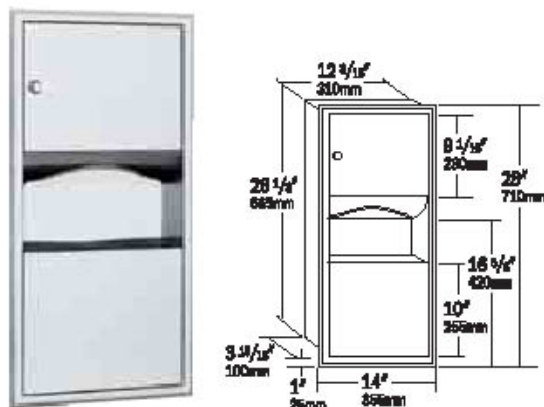


**B-4369 ConturaSeries RECESSED PAPER TOWEL DISPENSER/WASTE RECEPTACLE**    
Satin-finish stainless steel. Flush tumbler lock. Dispenses 350 C-fold or 475 multifold towels. Waste receptacle has 2.6-gal. (9.8L) capacity; extends 2 1/2" (65mm) from wall. Removable front panel for easy cleaning. Rough Wall Opening: 11 3/8" W, 26 5/8" H, 4" min. depth (290 x 675 x 100mm). Av. Mtg. Ht.: 71" (1805mm) to top of unit; Barrier-Free, 52 3/4" (1340mm).

**B-43699** Similar to B-4369, but with stainless steel skirt for surface mounting.



**B-36903 TrimLineSeries RECESSED PAPER TOWEL DISPENSER/WASTE RECEPTACLE**    
Satin-finish stainless steel. Door has 90° return, conceals flange. Dispenses 300 C-fold or 400 multifold towels. Removable, leak-proof, 1.6-gal. (6.1-L) waste container. Rough Wall Opening: 11 1/2" W, 29 1/2" H, 3 3/4" min. depth (290 x 750 x 95mm). Av. Mtg. Ht.: 69" (1753mm) to top of unit; Barrier-Free, 51" (1295mm).



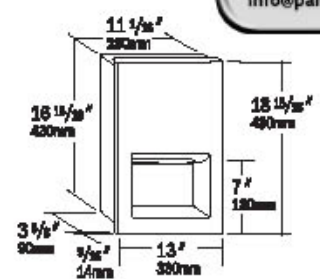
**B-369 ClassicSeries RECESSED PAPER TOWEL DISPENSER/WASTE RECEPTACLE**    
Satin-finish stainless steel. Seamless beveled flange. Dispenses 350 C-fold or 475 multifold towels. Knob-latch retains door. Removable waste container has 2-gal. (7.6-L) capacity. Rough Wall Opening: 12 5/8" W, 26 5/8" H, 4" min. depth (320 x 675 x 100mm). Av. Mtg. Ht.: 71" (1805mm) to top of unit; Barrier-Free, 51 1/2" (1310mm).

**B-3699** Similar to B-369, but with stainless steel skirt for surface mounting.

**COMBINATION TOWEL/WASTE UNIT BARRIER-FREE WASHROOM GUIDELINES:**

Access to paper towels should be 15" to 48" (380-1220mm) above the finish floor to allow forward and side reach by people in wheelchairs. Hinged panels covering waste receptacle openings should not require more than 5 pounds of force (22.2 N) to open. It is recommended that units projecting more than 4" (100mm) from the wall be located in corners, alcoves, or between other protruding structural elements so as not to be a hazard to blind people or interfere with required access aisles and 60" (1525mm) minimum diameter turning spaces for persons using wheelchairs.

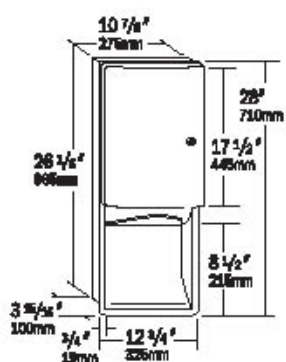
Distributed by  
www.PandaProducts.com  
Phone: (800) 608-6568  
Fax: (409) 840-5545  
info@pandaproducts.com



**B-35903 TrimLineSeries RECESSED PAPER TOWEL DISPENSER**



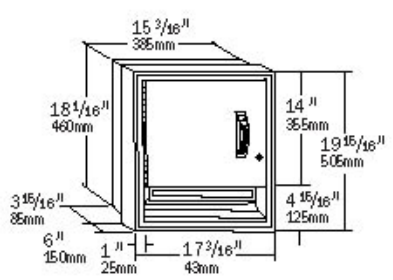
Satin-finish stainless steel. Door has 90° return, conceals flange. Dispenses 300 Cfold or 400 multifold towels. Rough Wall Opening: 11 1/8" W, 17 1/4" H, 3 3/4" min. depth (290 x 440 x 95mm). Av. Mtg. Ht.: 67" (1700mm) to top of unit; Barrier-Free, 52" (1320mm).



**B-4362 ConturaSeries RECESSED PAPER TOWEL DISPENSER**



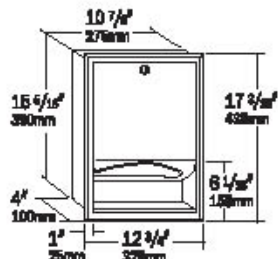
Satin-finish stainless steel. Flush tumbler lock. Dispenses 600 Cfold or 800 multifold towels. Rough Wall Opening: 11 3/8" W, 26 1/2" H, 4" min. depth (290 x 675 x 100mm). Av. Mtg. Ht.: 78" (1980mm) to top of unit; Barrier-Free, 59 1/2" (1510mm).



**B-38616 ClassicSeries SEMI-RECESSED ROLL TOWEL DISPENSER**



Satin-finish stainless steel. Seamless beveled flange. Delivers preset length of paper towel: 2 1/2", 4" or 5" (65, 100 or 125mm) per stroke. Accepts rolls 8" (205mm) wide, 800 ft (244 m) long. Extends 9 1/2" (240mm) from wall. Rough Wall Opening: 15 3/4" W, 18 5/8" H, 3 1/2" min. depth (400 x 475 x 90mm). Av. Mtg. Ht.: 70-78" (1780-1980mm) to top of unit; Barrier-Free, 46 1/2" (1180mm).



**B-359 ClassicSeries RECESSED PAPER TOWEL DISPENSER**



Satin-finish stainless steel. Seamless beveled flange. Dispenses 350 Cfold or 475 multifold towels. Door equipped with full-length stainless steel piano-hinge at bottom; swings down for easy filling. Rough Wall Opening: 11 1/4" W, 15 5/8" H, 4" min. depth (285 x 395 x 100mm). Av. Mtg. Ht.: 67" (1700mm) to top of unit; Barrier-Free, 52 1/2" (1335mm).



**B-4262 ConturaSeries SURFACE-MOUNTED PAPER TOWEL DISPENSER**



Satin-finish stainless steel. Tumbler lock on top of cabinet. Door swings down for loading towels. Dispenses 400 Cfold or 525 multifold towels measuring 3 1/8" to 3 13/16" (79-97mm) deep without adjustment or adapter. Furnished with internal towel tray adapter kit for dispensing narrower towels 2 1/2" to 3 1/8" (64-79mm) deep. Cabinet slots indicate refill time. Unit 10 13/16" W, 13 1/4" H, 4 1/4" D (275 x 335 x 120mm).





Distributed by  
**www.PandaProducts.com**  
 Phone: (800) 608-6568  
 Fax: (409) 840-5545  
 info@pandaproducts.com



**B-262 Classic Series SURFACE MOUNTED PAPER TOWEL DISPENSER** **S** **♿**

Satinfinish stainless steel. Dispenses 400 C-fold or 525 multifold towels measuring 3 1/8" to 3 13/16" (79-97mm) deep without adjustment or adapters. Door has tumbler lock and piano-hinge. Cabinet slots indicate refill time. Unit 10 3/4" W, 14" H, 4" D (275 x 355 x 100mm). Av. Mtg. Ht.: 66-70" (1675-1780mm) to top of unit; Barrier-Free, 54" (1370mm).

**B-2620** Similar to B-262, but with knob-latch.



**B-263 SURFACE-MOUNTED PAPER TOWEL DISPENSER**

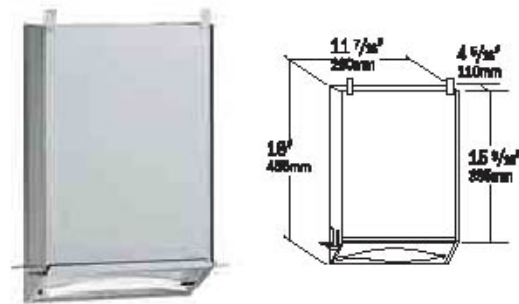
Satinfinish stainless steel. Tumbler lock on top of cabinet. Dispenses 400 singlefold towels. Cabinet slots indicate refill time. Unit 12 1/8" W, 7 1/4" H, 6 7/8" D (310 x 185 x 155mm).



**B-2621 SURFACE-MOUNTED PAPER TOWEL DISPENSER** **S** **♿**

Satinfinish stainless steel. Dispenses 200 C-fold or 275 multifold towels measuring 3 1/8" to 3 13/16" (79-97mm) deep without adjustment or adapters. Door has knob-latch. Cabinet slots indicate refill time. Unit 10 3/4" W, 7 1/8" H, 4" D (275 x 180 x 100mm). Av. Mtg. Ht.: 58-62" (1475-1575mm) to top of unit; Barrier-Free, 47" (1195mm).

**B-2621.2** Similar to B-2621, but with tumbler lock.



**B-318 RECESSED PAPER TOWEL DISPENSER** **♿**

Satinfinish stainless steel. Dispenses 600 C-fold or 800 multifold towels. Towels load into bottom of cabinet concealed behind wall or mirror; only the towel tray is visible. Rough Wall Opening: 12" W, 18 1/4" H (305 x 465mm) to accept cabinet height, plus 8" (150mm) min. clearance space below towel tray; 4 1/2" (115mm) min. depth. Av. Mtg. Ht.: 68-73" (1725-1855mm) to top of unit; Barrier-Free, 56 3/4" (1440mm).



**B-2860 SURFACE-MOUNTED ROLL TOWEL DISPENSER** **T**

Satinfinish stainless steel. Touch-free, pull-towel mechanism dispenses 12" (305mm) length per pull of economical, non-perforated, universal roll paper towels. Accommodates 8" (205mm) wide, up to 8" (205mm) diameter rolls, 800 ft. (244m) long, plus 3 1/2" (90mm) dia. stub roll with automatic transfer. Pull force to operate 1.8 lbs (8.0 N). Door has tumbler lock and piano-hinge. Cabinet slots indicate refill time. Unit 11 3/4" W, 15" H, 9" D (300 x 380 x 230mm). Av. Mtg. Ht.: 67-74" (1700-1880mm) to top of unit; Barrier-Free 60-66" (1525-1675mm). Patented.



**B-5262 Matrix Series™ SURFACE-MOUNTED PAPER TOWEL DISPENSER**

Durable ABS plastic; grey color. Dispenses 400 C-fold or 525 multifold towels measuring 3 1/8" to 3 13/16" (79-97mm) deep without adjustment or adapter. Cabinet slots indicate refill time. Door has concealed locking device. Unit 11 1/2" W, 15 1/4" H, 4 3/4" D (290 x 385 x 120mm). Patented.

**5262-25 INTERNAL TOWEL TRAY ADAPTER KIT**  
 Optional for Models B-262, B-2620, B-2621, B-2621.2, B-4262, and B-5262 to dispense narrower paper towels 2 1/2" to 3 1/8" (64-79mm) deep.

Distributed by  
**www.PandaProducts.com**  
 Phone: (800) 608-6568  
 Fax: (409) 840-5545  
 info@pandaproducts.com



**B-72860 SURFACE-MOUNTED ROLL PAPER TOWEL DISPENSER**

Durable plastic construction; translucent cover. Touch-free, pull towel mechanism dispenses 12" (305mm) length per pull of economical, non-perforated, universal roll paper towels. Accommodates 8" (205mm) wide, up to 8" (205mm) diameter rolls, 800 ft (244m) long, plus 3 1/2" (90mm) diameter stub roll with automatic transfer. Pull force to operate 1.8 lbs (8.0 N). Locking cabinet furnished with removable and permanent keys. Unit 12 1/2" W, 15 1/2" H, 9 1/2" D (320 x 395 x 240mm). Patented.



**B-235 SURFACE-MOUNTED PAPER CUP DISPENSER**



Satin-finish stainless steel. Dispenses 150 3-oz (0.1L) cups. Adjusts to dispense up to 6-oz (0.2L) cups. Tumbler lock on top and stainless steel piano-hinge on bottom. Cabinet swings down for easy filling. Slot on front indicates refill time. Unit 3 3/4" W, 14 1/2" H, 3 3/4" D (85 x 370 x 85mm). Universal/Barrier-Free Mtg. Ht.: 52 1/2-58 1/2" (1335-1485mm) to top.



**B-52860 MatrixSeries SURFACE-MOUNTED ROLL PAPER TOWEL DISPENSER**

Durable ABS plastic; grey color. Delivers preset length of paper towel: 2" or 4" (50 or 100mm) per stroke. 4" (100mm) stub roll. Accepts standard core rolls 7 1/4" to 8" (185 to 205mm) wide, up to 8" diameter (205mm). Unit 11 5/8" W, 15 1/4" H (295 x 385mm), wall to lever 10 1/8" (255mm).



**B-526 TrimLineSeries COUNTERTOP MOUNTED PAPER TOWEL DISPENSER**



Satin-finish stainless steel. Flange has 90° return. Towels load into top of dispenser. Dispenses 300 C-fold or multifold towels. Unit 12 3/4" W, 6" front to back depth (325 x 150mm); 17" (430mm) min. clearance below mounting surface is required. Rough Countertop Cutout: 12 1/4" W (310mm), 4 1/2" front to back depth (115mm), 3/4" to 1 1/2" (19 to 38mm) mounting thickness. Housing below countertop to conceal dispenser is not included. Barrier-free countertop must not exceed 34" (865mm) height, and have a clearance of at least 29" (735mm) from the bottom of the apron to the finish floor.

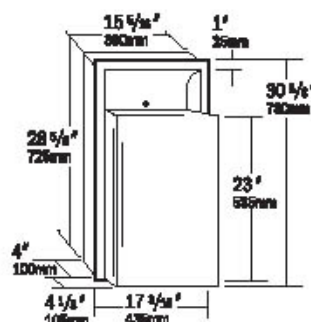


**B-253 SURFACE-MOUNTED ROLL PAPER TOWEL DISPENSER**

Heavy-duty aluminum casting; satin finish. Molded plastic spindle has concealed locking device; removed with special key furnished. Controlled delivery. Holds paper towel rolls up to 6" (150mm) diameter. Unit 12 1/2" wide and projects 4 7/8" from wall (320 x 125mm).



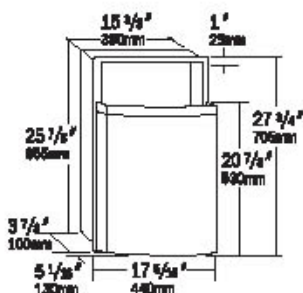




**B-3644 ClassicSeries RECESSED WASTE RECEPTACLE**



Satin-finish stainless steel. Seamless beveled flange. Removable, 12-gal. (45.4L) receptacle locks into cabinet. Hooks hold optional vinyl liner. Rough wall opening: 16" W, 29 3/4" H, 4" min. depth (405 x 745 x 100mm). Universal/Barrier-Free Mtg. Ht.: 42-46" (1065-1170mm) to top of unit.



**B-43644 ConturaSeries RECESSED WASTE RECEPTACLE**



Satin-finish stainless steel. Removable front panel for easy cleaning. Capacity: 11.2-gal. (42.2L). Rough Wall Opening: 15 7/8" W, 26 3/4" H, 4" min. depth (405 x 665 x 100mm). Universal/Barrier-Free Mtg. Ht.: 43-47" (1090-1195mm) to top of unit.



**B-277 ConturaSeries SURFACE-MOUNTED WASTE RECEPTACLE**



Satin-finish stainless steel. Capacity: 12.75-gal. (48.3L). Top edges are hemmed and bottom of waste receptacle has recessed finger grip for safe handling. Clips secure furnished reusable vinyl liner. Unit 15 1/8" W, 23" H, 8 1/2" D (385 x 585 x 215mm).

**WASTE RECEPTACLE BARRIER-FREE WASHROOM GUIDELINES:**

Access to receptacle openings should be 15" to 48" (380-1220mm) above the finish floor to allow forward and side reach by people in wheelchairs. Hinged panels covering waste receptacle openings should not require more than 5 pounds of force (22.2 N) to open. It is recommended that units projecting more than 4" (100mm) from the wall be located in corners, alcoves, or between other protruding structural elements so as not to be a hazard to blind people or interfere with required access aisles and 60" (1525mm) minimum diameter turning spaces for wheelchairs.

**REUSABLE HEAVY-GAUGE VINYL LINERS:**

ORDER PART NO.	FOR MODEL NO.
2250-3	B-2250, B-2260
2270-3	B-2280
275-14	B-275
279-14	B-279
3944-12	B-277
5277-12	B-527

Distributed by  
[www.PandaProducts.com](http://www.PandaProducts.com)  
 Phone: (800) 608-6568  
 Fax: (409) 840-5545  
[info@pandaproducts.com](mailto:info@pandaproducts.com)



**B-279 ClassicSeries SURFACE MOUNTED WASTE RECEPTACLE**



Satin-finish stainless steel. Bottom edges hemmed for safety. Hooks hold furnished reusable vinyl liner; removable for servicing. Capacity: 6.4-gal. (24.2-L). Unit 14" W, 18" H, 6" D (355 x 455 x 150mm).



**B-275 SURFACE-MOUNTED WASTE RECEPTACLE**

Satin-finish stainless steel. Bottom edges hemmed for maximum safety. Hooks hold furnished reusable vinyl liner; removable for servicing. Capacity: 20-gal. (75.7-L). Unit 16 1/2" W, 23" H, 12 1/2" D (420 x 585 x 320mm).



**B-2250 FLOOR-STANDING WASTE RECEPTACLE WITH TOP**

Satin-finish stainless steel. Top with self-closing doors. Vinyl wall bumper, rubber feet. Hooks for liners. Capacity: 13-gal. (49.2-L). Unit 12 1/2" x 12 1/2" (320 x 320mm) at top, 29 1/2" (750mm) high.



**B-261 SURFACE-MOUNTED FACIAL TISSUE WASTE RECEPTACLE**

Satin-finish stainless steel. Bottom edges hemmed for maximum safety. Capacity: 1 1/2-gal. (5.7-L). 10 1/2" (265mm) W at top, 8 5/8" (220mm) W at bottom. Unit 9" H, 4 3/8" D (230 x 110mm).



**B-5277 MatrixSeries SURFACE-MOUNTED WASTE RECEPTACLE**

Impact-resistant polymer; grey color. Capacity: 13-gal. (49.2-L). Clips secure optional vinyl liner. Unit 17" W, 23" H, 9 1/2" D (430 x 585 x 240mm). Patented.

**WASTE RECEPTACLE BARRIER-FREE WASHROOM GUIDELINES:**

Access to receptacle openings should be 15" to 48" (380-1220mm) above the finish floor to allow forward and side reach by people in wheelchairs. Hinged panels covering waste receptacle openings should not require more than 5 pounds of force (22.2 N) to open. It is recommended that units projecting more than 4" (100mm) from the wall be located in corners, alcoves, or between other protruding structural elements so as not to be a hazard to blind people or interfere with required access aisles and 60" (1525mm) minimum diameter turning spaces for wheelchairs.





**B-2280 FLOOR-STANDING OPEN-TOP WASTE RECEPTACLE**

Satin-finish stainless steel. Open top. Vinyl wall bumper, rubber feet. Hooks for liners. Capacity: 21-gal. (79.5L). Unit 14" x 14" (355 x 355mm) at top, 30" (760mm) high.

**B-2260** Similar to B-2280, but with 13-gal. (49.2L) capacity. Unit 12 1/2" x 12 1/2" (320 x 320mm) at top, 22" (560mm) high.



**B-529 COUNTERTOP-MOUNTED CIRCULAR WASTE CHUTE**



Rolled flange and exposed surfaces bright-polished stainless steel. Outside diameter 6 1/4" (175mm), inside diameter 5 1/2" (140mm), chute depth 5" (130mm). Rough Countertop Cutout: 5 5/8" diameter (140mm). Provides waste deposit access to receptacle (not furnished) placed under countertop. Universal/Barrier-Free: countertop must not exceed 34" (865mm) height and have a clearance of at least 29" (735mm) from the bottom of the apron to the finish floor.



**B-2300 FLOOR-STANDING DOME-TOP WASTE RECEPTACLE**

Satin-finish stainless steel body with black steel-domed top. Removable top with fingerprint-resistant textured powder coated finish has 6" (150mm) diameter opening for hygienic, no-touch disposal of waste. Galvanized steel liner has grommeted lift holes. Capacity: 18-gal. (68-L). Unit 15" diameter, 31" H (380 x 785mm).



**B-240 WALL-MOUNTED STAINLESS STEEL ASHTRAY**



Satin-finish stainless steel. For installation in washrooms above countertops, in toilet compartments, and alongside urinals. Can also be mounted in hallway and lobby areas where space is limited. Ashtray flips over for emptying without removal from frame. Unit 5" W, 1 1/2" H, 3 7/8" D (125 x 40 x 100mm). Universal/Barrier-Free Mtg. Ht.: 38-48" (965-1220mm) to top of unit.



**B-2400 FLOOR-STANDING LARGE-CAPACITY WASTE RECEPTACLE**




Satin-finish stainless steel. Removable funnel top with 8 1/4" (210mm) diameter opening for hygienic, no-touch disposal of waste. Four heavy-duty rubber feet. Galvanized-steel waste container has handle for easy removal. Capacity: 33-gal. (125-L). Unit 18 1/4" diameter, 32" high (465 x 815mm).

**ASHTRAY BARRIER-FREE DESIGN GUIDELINES:**

It is recommended that all floor-standing and surface-mounted units projecting more than 4" (100mm) from the wall be located in corners, alcoves, or between other protruding structural elements so as not to be a hazard to blind people or interfere with required access aisles and 60" (1525mm) min. diameter turning space for wheelchairs. Surface-mounted units should not be located above grab bars. Ashtrays and waste receptacle openings should be located 15" to 48" (380-1220mm) above the finish floor to allow forward reach by people in wheelchairs.

Distributed by  
**www.PandaProducts.com**  
 Phone: (800) 608-6568  
 Fax: (409) 840-5545  
 info@pandaproducts.com

**PRESTIGE BUILDINGS** 

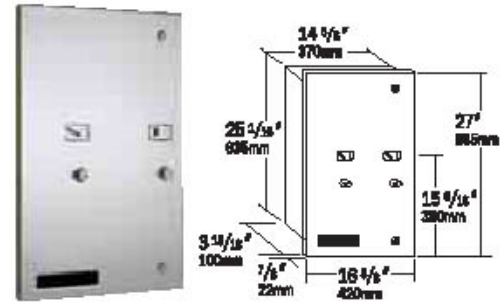
Corporate Headquarters  
Class A Office Projects  
Civic Center Icons  
Universities

**Restroom Usage and  
Accessory Requirements:**

Low to moderate traffic  
Minimal use and abuse  
Architectural design excellence  
Quality materials and equipment





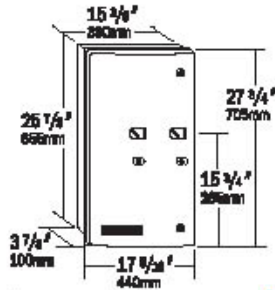


**#B-3500 TrimLineSeries RECESSED SANITARY NAPKIN/TAMPON VENDOR**



Satin-finish stainless steel. Door has 90° return, conceals flange. Dispenses 31 napkins and 22 tampons. Single-coin mechanisms convertible for 25¢-operation, or specify Free-operation (no-coin) mechanisms. Two tumbler locks. Separate lock and key for coin box. Rough Wall Opening: 15 1/8" W, 25 1/2" H, 4" min. depth (385 x 650 x 100mm). Av. Mtg. Ht.: 71-75" (1805-1905mm) to top of unit; Barrier-Free, 51" (1295mm). Patented.

**B-3500X2** Similar to B-3500, but with double-coin mechanisms convertible for 50¢-operation. Patented.



**B-43500 ConturaSeries RECESSED SANITARY NAPKIN/TAMPON VENDOR**



Satin-finish stainless steel. Dispenses 31 napkins and 22 tampons. Single-coin mechanisms convertible for 25¢-operation, or specify Free-operation (no coin) mechanisms. Two flush tumbler locks. Separate lock and key for coin box. Rough Wall Opening: 15 3/4" W, 26 1/4" H, 4" min. depth (400 x 665 x 100mm). Av. Mtg. Ht.: 69-73" (1755-1855mm) to top of unit; Barrier-Free, 52" (1320mm). Patented.

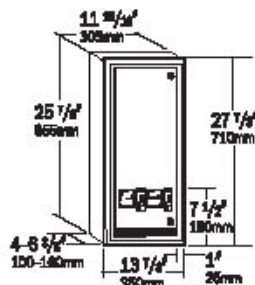
**B-435009** Similar to B-43500, but with stainless steel skirt for surface mounting, 25¢-operation. Patented. **B-43500X2** Similar to B-43500, but with double coin mechanism convertible for 50¢-operation. Patented.



**#B-2800 TrimLineSeries SURFACE-MOUNTED SANITARY NAPKIN/TAMPON VENDOR**

Satin-finish stainless steel. Similar to B-3500, but with cabinet for surface-mounted installation. Single-coin mechanisms convertible for 25¢-operation, or specify Free-operation (no-coin) mechanisms. Unit 14 7/8" W, 25 3/8" H, 4 3/4" D (380 x 645 x 120mm). Patented.

**B-2800X2** Similar to B-2800, but with double-coin mechanisms convertible for 50¢-operation. Patented.



**B-352 25 ClassicSeries RECESSED SANITARY NAPKIN/TAMPON VENDOR.**



Satin-finish stainless steel. Seamless beveled flange. Dispenses 30 napkins and 27 tampons. Single-coin mechanisms for 25¢-operation. Adjustable flange allows semi- or fully-recessed installation. Plastic twist handles. Rough Wall Opening: 12 1/2" W, 26 3/8" H, 4-6 1/2" min. depth (320 x 670 x 100-165mm). Av. Mtg. Ht.: 75-79" (1905-2005mm) to top of unit; Barrier-Free, 61 1/2" (1560mm).

**B-282 25** Similar to B-352 25, but with cabinet for surface-mounted installation. Unit 11 7/8" W, 25 7/8" H, 6 1/2" D (300 x 655 x 165mm).

**DESIGNER'S NOTES:**

How to specify sanitary napkin/tampon vendors:

1. Select model number of vendor required.
2. Add coin denomination required (25¢ for models with single-coin mechanisms, 50¢ for models with double-coin mechanisms, and Free for no-coin mechanisms). See product descriptions for coin denominations available.

Example: To order recessed sanitary napkin/tampon vendors with double-coin mechanisms and 50¢-operation, specify B-3500X2 50.

B-2800, B-3500, and B-43500 Series sanitary napkin/tampon vendors are convertible in the field to any Bobrick standard coinage (single, double or complimentary) with the purchase of a Coin Plate Replacement Kit. Contact your Bobrick Representative for full details.

Coin-mechanism pull knobs meet Barrier-Free standards: operable with one hand and less than 5 pounds of force (22.2 N), with no twisting motion.

All vendor doors are 18-gauge (1.2mm), secured with concealed full-length stainless steel hinge and replaceable in the field.





## BOBRICK SureFlo® SOAP SYSTEM



### SureFlo SOAP SYSTEM CABINET

Accommodates one 12-liter (1,3,000 handwashes) SureFlo Soap Cartridge. Cabinet is equipped with a concealed 2-liter (2,000 handwashes) soap reservoir. Cabinet is constructed of type 304 stainless steel. Door has satin finish and tumbler lock, keyed like other Bobrick washroom accessories. Cabinet is equipped with Low Soap Indicator (LSI) Light. Cabinet is mounted under lavatory countertop on left or right side walls, or rear wall. Includes tubing and connectors. Cabinet furnished with one 12-liter cartridge of Bobrick SureFlo Soap. Cabinet 10" W, 15 3/4" H in front, 16 1/2" H in rear, 18 5/8" D (255 x 385-420 x 475mm). Patented.

**B-830.12** Soap System Cabinet with one 12-liter cartridge of Pink Lotion SureFlo Soap.

**B-830.13** Soap System Cabinet with one 12-liter cartridge of Premium Gold SureFlo Soap.

### 830-141 SureFlo CONNECTOR KIT FOR EXISTING OR NEW B-822 SERIES SOAP DISPENSER INSTALLATIONS

One kit required for each existing or new B-822 Series Soap Dispenser. Includes vandal-resistant, 360° free turning, Swivel Assembly, Shank Extension, tubing and connectors for converting existing B-822 Series Installations (or installing new B-822 Series Soap Dispensers) into a B-830 SureFlo Soap Dispensing System.

### SOAP PUMP (B-822 SERIES), MOUNTING SHANK KITS FOR NEW SOAP DISPENSER INSTALLATIONS

One kit required for each new lavatory-mounted soap dispenser. Also requires one 830-141 Connector Kit for each soap dispenser.

PART NO.	SOAP PUMP DESCRIPTION
830-159	4" (100mm) Spout Length, Bright-Polished Stainless Steel (B-822)
830-172	6" (150mm) Spout Length, Bright-Polished Stainless Steel (B-8226)

Note: Maximum Countertop Mounting Thickness 4 3/4" (110mm)

### HOW TO SPECIFY/ORDER:

#### EXISTING B-822 SERIES DISPENSERS INSTALLED

**B-830.12**, or **B-830.13** Soap System Cabinet.  
**830-141** Connector Kit. One kit required for each B-822 Series Soap Dispenser.

#### NEW INSTALLATIONS

**B-830.12**, or **B-830.13** Soap System Cabinet.  
**830-159** or **830-172** Soap Pump, Mounting Shank Kit. One kit required for each B-822 Series Soap Dispenser.  
**830-141** Connector Kit. One kit required for each soap dispenser.

#### SureFlo SOAP SYSTEM SOAP CARTRIDGES

Formulated especially for Bobrick B-822 Series Lavatory-Mounted Soap Dispensers.

- ☞ **B-81312** Premium Gold Soap, 12-liter (13,000 handwashes)
- ☞ **B-81212** Pink Lotion Soap, 12-liter (13,000 handwashes)

SureFlo Soap Dispensing Systems can be converted back to individual B-822 Series Soap Dispensers, see page 22. Order one 830-145 Reconversion Kit for each soap dispenser.

#### WARRANTY

Only Bobrick SureFlo Soaps should be used in B-822 Series Lavatory-Mounted Soap Dispensers used in a SureFlo Soap System. Use of any other soap will void the warranty provided for the B-822 Series Soap Dispensers used in the SureFlo Soap System. See page 51 for warranties and limitations on Bobrick's SureFlo Soap System.

Distributed by  
**www.PandaProducts.com**  
 Phone: (800) 608-6568  
 Fax: (409) 840-5545  
 info@pandaproducts.com



## B-826 AUTOMATIC SOAP DISPENSER



Automatic touch-free sensor eliminates cross contamination. Meets Barrier-Free accessibility standards. Sensor detects user's hand to automatically dispense controlled amount (0.8ml) of soap; activation range is 4" (100mm) from sensor lens. Reduces soap usage, waste. Bright-polished chrome spout cover.

Dispenses 1000 handwashes per 800ml, 2000 handwashes per 1600ml OneShot® soap refills. Soap refills available from sanitary supply distributors. Red LED light blinks when soap refill is low. Yellow LED light blinks when battery life is low (average battery life 100 soap refills or 2 years). Water-resistant battery compartment and motor housing.

Mounts through 1" (25mm) diameter hole in lavatory or countertop. Maximum countertop mounting thickness 2" (50mm). Spacer for use with lavatory rim 3/4" (19mm) or greater is included. Battery requirements: 4 Alkaline D Cells (not included).

**B-826.18** Starter Kit Includes B-826 Automatic Lavatory-Mounted Soap Dispenser, an 800ml lotion soap refill, and 4 Alkaline D Cell batteries.

**826-20 AC ADAPTER (6V)** for one B-826 Automatic Lavatory-Mounted Soap Dispenser.

Available on special order: All-metal soap dispenser for vandal-prone installations. AC Adapter (6V) for up to four B-826 Automatic Lavatory Mounted Soap Dispensers.

OneShot is a registered trademark of Technical Concepts LLC.

## B-822 SERIES SOAP DISPENSERS



For ease of maintenance and labor savings • Vandal-resistant locking cover and free-turning spout • Corrosion-resistant • Bright-polished spout, cover and escutcheon • High-impact-resistant ABS body and shank • Shatter-resistant polyethylene container • Patented



B-822



B-8221

### LIQUID & LOTION SOAPS, AND SYNTHETIC DETERGENT DISPENSERS:

MODEL NUMBER	CAPACITY	SPOUT LENGTH	MAX. MTG. THICKNESS
<del>B-822</del>	34-fl oz (1.0-L)	4" (100mm)	4" (100mm)
<del>B-8221</del>	20-fl oz (0.6-L)	4" (100mm)	1" (25mm)
<del>B-8226</del>	34-fl oz (1.0-L)	6" (150mm)	4" (100mm)
<del>B-82216</del>	20-fl oz (0.6-L)	6" (150mm)	1" (25mm)

### IMPORTANT NOTE:

All Bobrick B-822 Series Soap Dispensers are designed to dispense commercially marketed all-purpose hand soaps including liquid and lotion soaps, synthetic detergents, and antibacterial soaps containing PCMX and/or Triclosan. Bobrick soap dispensers are not designed to dispense alcohol-based hand sanitizers or iodine-based surgical soaps.

### B-822 DESIGNER'S NOTES:

1. Mount through 1" (25mm) diameter hole in lavatory or countertop.
2. Diameter of escutcheon: 2 1/4" (50mm).
3. Maximum height from base of body to bottom of container: 14 5/8" (370mm) for B-822, B-8226; 8 1/4" (210mm) for B-8221, B-82216. Allow clearance below basin for 3 1/2" (90mm) diameter container.
4. Mount with end of spout extending over inner edge of bowl.

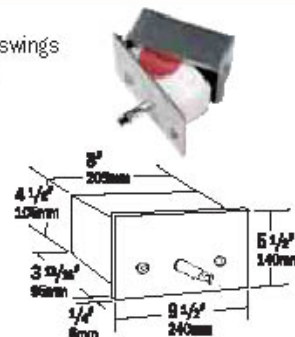
### B-826 DESIGNER'S NOTES:

1. Maximum height from base of dispenser to bottom of refill 14 7/8" (380mm) for 800ml refill; 16 5/8" (420mm) for 1600ml refill.
2. Allow 5" (125mm) diameter clearance below lavatory or countertop for motor housing and 800ml refill. For 1600ml refill allow 5 1/2" (140mm) diameter clearance.
3. Battery compartment equipped with 36" (915mm) cord, mounts on wall under lavatory or countertop.





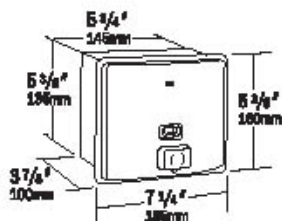
Soap vessel swings out for filling.



**⚡B-306 TrimLineSeries RECESSED SOAP DISPENSER**



Satin-finish stainless steel. Door: 90° return, conceals flange. Vessel on back of door swings open for filling. Hinge and tumbler lock secure door to cabinet. Capacity: 45-fl oz (1.3L). Valve dispenses all-purpose hand soaps. Soap refill window. Rough Wall Opening: 8 3/8" W, 4 3/8" H, 3 7/8" min. depth (215 x 110 x 100mm). Universal/Barrier-Free Mtg. Ht.: 47 3/4" (1215mm) to top of unit with pushbutton 44" (1120mm) above floor. Patented.



**⚡B-4063 ConturaSeries RECESSED SOAP DISPENSER**



Dispenses all-purpose soaps. Drawn, 20-gauge (1.0mm), one-piece front, satin-finish stainless steel with vessel attached to back. Capacity: 50fl oz (1.5L). Pulls out for filling. Concealed locking device. Wall to pushbutton, 1 5/8" (40mm). Rough Wall Opening: 5 7/8" W, 5 1/2" H, 4" min. depth (150 x 140 x 100mm). Universal/Barrier-Free Mtg. Ht.: 49" (1245mm) to top of unit with pushbutton 44" (1120mm) above floor. Patented.



**⚡2111-79 SureFlo RETROFIT VALVE**

For Models B-11, B-12, B-111, B-112, B-201, B-2014, B-2111, B-202, B-2024, B-306, B-3067; B-310, B-320 and B-330 Series Combination Units. Valve operates with less than 5 pounds of force (22.2 N). Patented.



**⚡4112-79 RETROFIT ALL-PURPOSE VALVE**

Available for Models B-4063, B-4112, B-2111, B-2112 and B-2014. Field-replaceable corrosion-resistant valve dispenses most commercially marketed all-purpose hand soaps. Valve operates with less than 5 pounds of force (22.2 N). Patented.

**DESIGNER'S NOTES:**

All surface-mounted soap dispensers require 4" (100mm) minimum clearance above unit for filling; B-2014 SoaperShelf requires 5 1/4" (135mm), see page 24.

All Bobrick soap valves on recessed and surface-mounted soap dispensers meet Barrier-Free standards: operable with one hand, without tight grasping, pinching, or twisting of the wrist, and with less than 5 pounds of force (22.2 N) when soap container is completely filled.

Distributed by  
**www.PandaProducts.com**  
 Phone: (800) 608-6568  
 Fax: (409) 840-5545  
 info@pandaproducts.com







**B-4112 ConturaSeries SURFACE MOUNTED SOAP DISPENSER**



Corrosion-resistant valve dispenses commercially marketed all-purpose hand soaps. Container is satinfinish stainless steel. Capacity: 40fl oz (1.2L). Soap refill window. Concealed wall fastening. Hinged filler-top requires special key to open. Vandal-resistant. Unit 7" W, 6 1/8" H (180 x 155mm); wall to pushbutton, 3 1/4" (85mm). Universal/Barrier-Free Mtg. Ht.: 49" (1245mm) to top of unit with pushbutton 44" (1120mm) above floor. Patented.



**B-2014 SoaperShelf® SURFACE-MOUNTED COMBINATION UNIT**



Soap vessel and shelf are satinfinish stainless steel. Capacity: 80fl oz (2.4L). Corrosion-resistant valve dispenses commercially marketed all-purpose hand soaps. Soap refill window. Unit 17 1/4" W, 3 1/4" H, 5" D (440 x 85 x 125mm); wall to pushbutton, 5 3/4" (135mm). Universal/Barrier Free Mtg. Ht.: 46 1/2" (1180mm) to top of unit with pushbutton 44" (1120mm) above floor. Patented.



**B-2112 ClassicSeries SURFACE MOUNTED SOAP DISPENSER**



Horizontal tank is satin-finish stainless steel. Valve dispenses all-purpose hand soaps. Capacity: 40fl oz (1.2L). Soap refill window. Concealed wall fastening. Hinged filler-top requires special key to open. Vandal-resistant. Unit 8 3/8" W, 4 3/4" H (205 x 120mm); wall to pushbutton, 3 1/2" (90mm). Universal/Barrier-Free Mtg. Ht.: 47 1/2" (1205mm) to top of unit with pushbutton 44" (1120mm) above floor. Patented.



**B-155 ClassicSeries LiquidMate® WALL-MOUNTED SOAP DISPENSERS**



Corrosion-resistant valve dispenses thin, free-flowing commercially marketed all-purpose hand soaps. Translucent polyethylene container provides visible soap level. 24fl oz (0.7-L) capacity. Unit 4" W, 7 5/8" H (100 x 195mm). Universal/Barrier-Free Mtg. Ht.: 50 1/2" (1285mm) to top of unit with pushbutton 44" (1120mm) above floor. Bright-polished, chrome-plated ABS mounting bracket.



**B-2111 ClassicSeries SURFACE MOUNTED SOAP DISPENSER**



Vertical tank is satin-finish stainless steel. Valve dispenses all-purpose hand soaps. Capacity: 40fl oz (1.2L). Soap refill window. Concealed wall fastening. Hinged filler-top requires special key to open. Vandal-resistant. Unit 4 3/4" W, 8 1/8" H (120 x 205mm); wall to pushbutton, 3 1/2" (90mm). Universal/Barrier-Free Mtg. Ht.: 50 7/8" (1290mm) to top of unit with pushbutton 44" (1120mm) above floor. Patented.



**B-156 ClassicSeries LiquidMate WALL-MOUNTED SOAP DISPENSERS**



Corrosion-resistant valve dispenses thin, free-flowing commercially marketed all-purpose hand soaps. Translucent polyethylene container provides visible soap level. 24fl oz (0.7-L) capacity. Unit 4" W, 7 5/8" H (100 x 195mm). Universal/Barrier-Free Mtg. Ht.: 50 1/2" (1285mm) to top of unit with pushbutton 44" (1120mm) above floor. Beige ABS mounting bracket.



**B-40 ClassicSeries SURFACE-MOUNTED SOAP DISPENSER**



Two-tone black and grey. Valve dispenses all-purpose soaps. Vandal-resistant lid has keyless locking device, pivots up for easy top filling. Translucent container provides visible soap level. Capacity: 40fl oz (1.2L). Concealed wall/mirror mounting, removable for cleaning. Unit 5 1/4" W, 6 7/8" H (150 x 175mm); wall to pushbutton, 3 3/4" (80mm). Universal/Barrier-Free Mtg. Ht.: 50" (1270mm) to top of unit with pushbutton 44" (1120mm) above floor. Patented.



**B-60 SURFACE-MOUNTED SOAP DISPENSER**



Ideal for high-volume applications, such as health and sports club showers. Corrosion-resistant valve dispenses commercially marketed all-purpose hand soaps. Translucent high-impact plastic container provides visible soap level and has oversized opening for quick top filling. Extra-large capacity: 1.5-gal. (5.7L). Unit 7 3/4" W, 13" H (195 x 330mm); wall to pushbutton, 5 3/4" (145mm). Universal/Barrier-Free Mtg. Ht.: 54 3/4" (1390mm) to top of unit with pushbutton 44" (1120mm) above floor. Patented.



**B-42 ClassicSeries SURFACE-MOUNTED SOAP DISPENSER**



All-black. Valve dispenses all-purpose soaps. Vandal-resistant lid has keyless locking device, pivots up for easy top filling. Translucent container provides visible soap level. Capacity: 40-fl oz (1.2L). Concealed wall/mirror mounting, removable for cleaning. Unit 5 1/4" W, 6 7/8" H (150 x 175mm); wall to pushbutton, 3 3/4" (80mm). Universal/Barrier-Free Mtg. Ht.: 50" (1270mm) to top of unit with pushbutton 44" (1120mm) above floor. Patented.



**B-132 ClassicSeries SURFACE-MOUNTED SOAP DISPENSER**



Container is satin-finish stainless steel. Capacity: 32-oz (0.9L). Dispensing mechanism with stainless steel lever dispenses any free-flowing powdered soap. Agitator spring prevents soap build-up. Top opens with special key provided. Concealed wall fastening. Unit 4 1/4" W, 8 1/8" H (120 x 205mm); wall to lever, 3 7/8" (100mm). Universal/Barrier-Free Mtg. Ht.: 50 5/8" (1285mm) to top of unit with lever 44" (1120mm) above floor.



**B-5050 MatrixSeries SURFACE-MOUNTED SOAP DISPENSER**



Impact-resistant polymer; grey color. Valve dispenses all-purpose hand soaps, removable for easy maintenance. Lid has concealed locking device. Concealed wall/mirror mounting. Large capacity container: 50fl oz (1.5L). Unit 6" W, 8 1/8" H (150 x 205mm); wall to pushbutton, 4" (100mm). Universal/Barrier-Free Mtg. Ht.: 51" (1295mm) to top of unit with pushbutton 44" (1120mm) above floor. Patented.

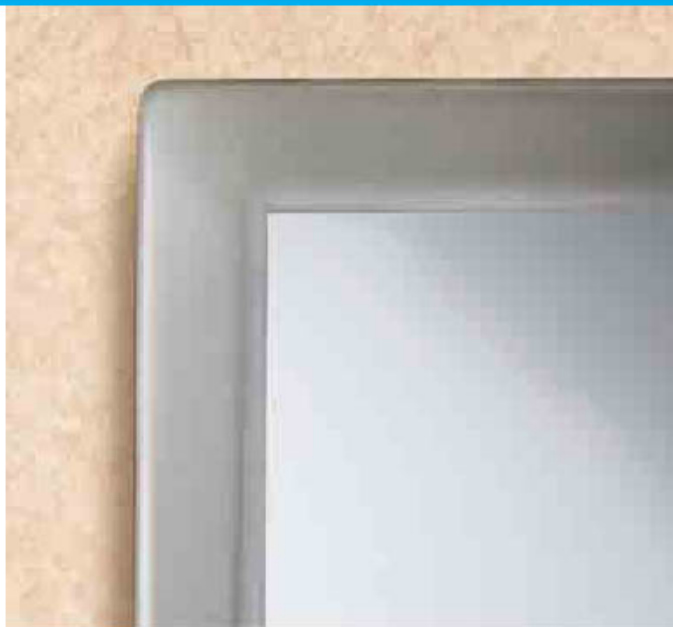
**SOAP DISPENSER BARRIER-FREE WASHROOM GUIDELINES:**

Push buttons and pistons should be operable with one hand and without tight grasping, pinching, or twisting of the wrist. Activation of soap valves should not require more than 5 pounds of force (22.2 N) when unit is completely filled. If wall-mounted units are placed over lavatories or countertops, then their pushbuttons should be located no more than 44" (1120mm) above the finish floor. Depending on the depth of the obstruction, the pushbuttons can be mounted as high as 48" (1220mm).

**IMPORTANT NOTE:**

All Bobrick liquid soap dispensers are designed to dispense commercially marketed all-purpose hand soaps including liquid and lotion soaps, synthetic detergents, and antibacterial soaps containing PCMX and/or Triclosan. Bobrick soap dispensers are not designed to dispense alcohol-based hand sanitizers or iodine-based surgical soaps.





**B-290 SERIES WELDED-FRAME MIRRORS** P

• One-piece, roll-formed 3/4" x 3/4" (19 x 19mm) angle frame • Type 304 stainless steel angle with satin finish • Corners heliarc welded, ground and polished smooth • Beveled frame edge at mirror for improved appearance • No. 1 quality, 1/4" (6mm) glass mirror, warranted against silver spoilage for 15 years • Galvanized steel back • Secured to concealed wall hanger with theft-resistant mounting

MODEL NO.	W	H	MODEL NO.	W	H
B-290 1824	18"	24"	B-290 2448	24"	48"
FB-290 1830	18"	30"	B-290 2460	24"	60"
FB-290 1836	18"	36"	B-290 2472	24"	72"
B-290 2430	24"	30"	B-290 7236	72"	36"
FB-290 2436	24"	36"			

**B-292 SERIES WELDED-FRAME MIRROR/SHELF COMBINATION**

• Same mirror as B-290 Series • Type 304 satin-finish stainless steel shelf • Shelf projects 5" (127mm), with 3/4" (19mm) return on front and sides; front return edge hemmed for rigidity and safety • Shelf corners heliarc welded, ground and polished smooth

MODEL NO.	W	H	MODEL NO.	W	H
B-292 1824	18"	24"	B-292 1836	18"	36"
B-292 1830	18"	30"	B-292 2436	24"	36"

**SPECIAL-ORDER CUSTOM SIZE B-290 AND B-292 SERIES MIRRORS**

**B-290**

Maximum size of one piece of mirror: 144" x 72" (366 x 183cm).  
Maximum frame size available: 180" x 72" (457 x 183cm) with two pieces of glass.

**B-292**

Maximum frame size available: 96" x 72" (244 x 183cm) with one piece of glass. Maximum size of shelf: 96" (244cm) furnished as one piece.

To specify special sizes, use Series Number followed by width and height in inches.

**MIRROR BARRIER-FREE WASHROOM GUIDELINES:**

Bottom edge of reflective surface should be mounted no higher than 40" (1015mm) above the finish floor. A single full-length mirror is recommended in each washroom because it is universally usable.

**B-165 SERIES CHANNEL-FRAME MIRRORS** S

• One-piece, 1/2" x 1/2" x 1/2" (13 x 13 x 13mm) channel frame • Type 430 stainless steel with bright-polished finish • Mitered corners • Frame screw permits easy replacement of glass • No. 1 quality, 1/4" (6mm) glass mirror warranted against silver spoilage for 10 years • Galvanized steel back • Secured to concealed wall hanger with theft-resistant mounting

MODEL NO.	W	H	MODEL NO.	W	H
B-165 1624	16"	24"	FB-165 2448	24"	48"
FB-165 1824	18"	24"	B-165 2460	24"	60"
FB-165 1830	18"	30"	B-165 3636	36"	36"
FB-165 1836	18"	36"	B-165 4836	48"	36"
FB-165 2430	24"	30"	B-165 6036	60"	36"
FB-165 2436	24"	36"			

**SPECIAL-ORDER CUSTOM SIZE B-165 SERIES MIRRORS**

Maximum size mirror: 72" x 60" (183 x 152cm). To specify special sizes, use Series Number followed by width and height.

**B-166 SERIES CHANNEL-FRAME MIRROR/SHELF COMBINATION**

• Same mirror as B-165 Series • Type 304 satin-finish stainless steel shelf • Shelf projects 5" (127mm) with 3/8" (10mm) return on front and sides; front return edge hemmed for rigidity and safety

MODEL NO.	W	H	MODEL NO.	W	H
B-166 1824	18"	24"	B-166 1836	18"	36"
B-166 1830	18"	30"	B-166 2436	24"	36"

**SPECIAL-ORDER CUSTOM SIZE B-166 SERIES MIRRORS**

Maximum size mirror: 24" x 60" (61 x 152cm). Maximum shelf length: 24" (61cm). To specify special sizes, use Series Number followed by width and height.

**DESIGNER'S NOTES:**

To specify mirrors, use Series Number desired followed by width and height in inches. Width dimension must always be stated first following Series Number. Framed mirrors are manufactured to overall dimensions, as shown in all mirror tables on pages 26 and 27. Overall height of mirror/shelf models includes shelf. Framed mirrors must be installed with width and height dimensions as ordered. Mirror back and wall hanger cannot be installed side ways to reverse width and height dimensions. Provide minimum 3/4" (19mm) clearance at top of mirror for mounting on wall hanger and 1" (25mm) clearance on each side.



**STANDARD SIZE  
TEMPERED GLASS MIRRORS**



**B-2908 SERIES**

**B-1658 SERIES**

Tempered glass mirrors are engineered for heavy-traffic, vandal-prone restrooms in K-12 school buildings, stadiums, outdoor recreation centers and low-supervision facilities such as parks and highway rest stops.

Tempered glass mirrors resist breakage and provide a measure of safety from broken glass, but differ in color and reflective quality from standard glass mirrors. Bobrick uses the highest quality tempered glass mirrors. Modest distortion or heat-generated markings are normal in the tempered glass mirror manufacturing process. Therefore, Bobrick will not accept returns of tempered glass mirrors with random distortion or markings.

**B-2908 SERIES STANDARD SIZE TEMPERED  
GLASS WELDED-FRAME MIRRORS**



\* Same frame as B-290 Series \* 1/4" (6mm) tempered glass mirror

MODEL NO.	W	H
B-2908 1830	18"	30" (46 x 76cm)
B-2908 1836	18"	36" (46 x 91cm)
B-2908 2436	24"	36" (61 x 91cm)

**B-1658 SERIES STANDARD SIZE TEMPERED  
GLASS CHANNEL-FRAME MIRRORS**



\* Same frame as B-165 Series \* 1/4" (6mm) tempered glass mirror

MODEL NO.	W	H
B-1658 1830	18"	30" (46 x 76cm)
B-1658 1836	18"	36" (46 x 91cm)
B-1658 2436	24"	36" (61 x 91cm)

**SPECIAL-ORDER REFLECTIVE SURFACES**

Polished Stainless Steel, Tempered and Laminated Glass Mirrors resist breakage and provide a measure of safety from broken glass, but differ in color and reflective quality from standard glass mirrors. Modest distortion is normal and not a returnable condition. Available on special order.

**POLISHED STAINLESS STEEL**

B-1656 Series Mirrors (up to 60" x 36"; 152 x 92cm)  
B-2906 Series Mirrors (up to 60" x 24"; 152 x 61cm)

**TEMPERED GLASS**

B-1658 Series Mirrors (up to 72" x 48"; 183 x 122cm)  
B-2908 Series Mirrors (up to 120" x 48"; 305 x 122cm)

**LAMINATED GLASS**

B-1659 Series Mirrors (up to 72" x 48"; 183 x 122cm)  
B-2909 Series Mirrors (up to 84" x 48"; 214 x 122cm)



**B-293**

**B-294**

**B-293 SERIES FIXED-POSITION TILT MIRRORS**



Provide visibility for wheelchair patients. Frame is type 304 stainless steel, satin finish. Beveled edges of frame hug mirror; provides gapless fit for improved appearance, and safety when cleaning mirror. No. 1 quality, 1/4" (6mm) glass mirror electrolytically copper plated. Mirror extends 4" (100mm) from wall at top and tapers to 1" (25mm) at bottom.

MODEL NO.	W	H	MODEL NO.	W	H
B-293 1630	16"	30" (41 x 76cm)	B-293 1836	18"	36" (46 x 91cm)
B-293 1830	18"	30" (46 x 76cm)	B-293 2436	24"	36" (61 x 91cm)

**SPECIAL-ORDER CUSTOM SIZE B-293 SERIES MIRRORS**

Maximum size mirror: 36" x 48" (91 x 122cm).

**B-294 SERIES ANGLE-FRAME TWO POSITION  
TILT MIRROR**



Tilt forward to provide full visibility for wheelchair patients or return to upright position. Frame is 3/4" x 3/4" (19 x 19mm), type 304 stainless steel angle, satin finish. Beveled edges of frame hug mirror; provides gapless fit for improved appearance, and safety when cleaning mirror. No. 1 quality, 1/4" (6mm) glass mirror electrolytically copper-plated. Top of mirror tilts 7" (180mm) from wall with selflocking mechanisms; bottom of mirror mounts to wall with full-length stainless steel hinge.

MODEL NO.	W	H	MODEL NO.	W	H
B-294 1624	16"	24" (41 x 61cm)	B-294 1630	16"	30" (41 x 76cm)

**SPECIAL-ORDER CUSTOM SIZE B-294 SERIES MIRRORS**

Maximum size mirror: 24" x 36" (61 x 91cm).



**B-1556 SERIES FRAMELESS MIRRORS**

Bright-polished stainless steel. Mirror has 1/4" (6mm) return concealing 1/4" (6mm) tempered masonite backing. Furnished with four mounting screws.

MODEL NO.	W	H	MODEL NO.	W	H
B-1556 1620	15 1/2"	19 1/2" (39 x 50cm)	B-1556 1830	17 1/2"	29 1/2" (44 x 75cm)
B-1556 1824	17 1/2"	23 1/2" (44 x 60cm)	B-1556 2436	23 1/2"	35 1/2" (60 x 90cm)



**B-942 FRAMELESS MIRROR (FRONT SECURED)**



Mirror is 11 3/4" x 17 3/4" (285 x 440mm) overall, 1/4" (6mm) deep. 18-gauge (1.2mm), type 430 stainless steel with bright-polished finish.

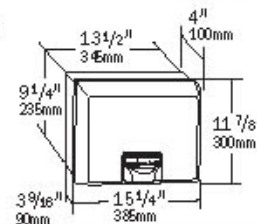


**B-750 AirCraft® RECESSED HAND DRYER**



Durable, cast-iron with white vitreous enamel finish, automatic sensor, 115V AC, 20 Amp, 2300 Watts, 50/60 Hz, cULus Listed, or 208-240V AC, 9-10 Amp, 1900-2400 Watts, 50/60 Hz, VDE approved, CE marked and CCC approved. B-750 shown.

**B-7507** Same as B-750, but with Ivory (#848) or Grey (#889) cover.



**B-740 Eclipse® SURFACE-MOUNTED HAND DRYER**



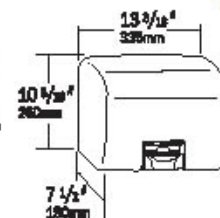
Durable, drawn-steel white vitreous enamel cover, automatic sensor, 115V AC, 20 Amp, 2300 Watts, 50/60 Hz, cULus Listed, or 208-240V AC, 9-10 Amp, 1900-2400 Watts, 50/60 Hz, VDE approved, CE marked and CCC approved. Patented.



**B-708 AirGuard™ SURFACE-MOUNTED HAND DRYER**

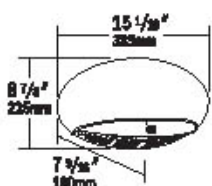


Durable, cast-iron with white vitreous enamel cover, automatic sensor, 115V AC, 20 Amp, 2300 Watts, 50/60 Hz, cULus Listed, or 208-240V AC, 9-10 Amp, 1900-2400 Watts, 50/60 Hz, VDE approved, CE marked and CCC approved.



**B-748 Eclipse SURFACE-MOUNTED HAND DRYER**

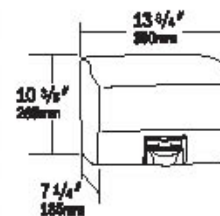
Durable, drawn-steel bright-polished chrome-plated cover, automatic sensor, 115V AC, 20 Amp, 2300 Watts, 50/60 Hz, cULus Listed, or 208-240V AC, 9-10 Amp, 1900-2400 Watts, 50/60 Hz, VDE approved, CE marked and CCC approved. Patented.



**B-700 AirCraft SURFACE-MOUNTED HAND DRYER, B-731 AirCraft HAIR DRYER**

Cast-iron with white vitreous enamel finish, automatic (B-731, touch-button operation, 80-sec. drying cycle), 115V AC, 20 Amp, 2300 Watts, 50/60 Hz, cULus Listed, or 208-240V AC, 9-10 Amp, 1900-2400 Watts, 50/60 Hz, VDE approved, CE marked and CCC approved. B-700 shown.

**B-7007** Same as B-700, but with Ivory (#848) or Grey (#889) cover.

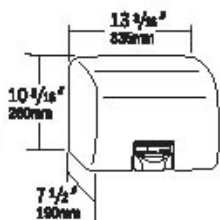






**B-709 AirPro™ SURFACE-MOUNTED HAND DRYER**

Durable, cast aluminum white painted cover, automatic sensor, 115V AC, 20 Amp, 2300 Watts, 50/60 Hz, cULus Listed, or 208-240V AC, 9-10 Amp, 1900-2400 Watts, 50/60 Hz, VDE approved, CE marked and CCC approved.



- 11 STYLING, PERFORMANCE AND PRICING CHOICES.
- 6 DISTINCTIVE DESIGNS, 5 MATERIALS/FINISHES.
- 5 ELECTRONIC PLATFORMS.
- 5 VANDAL-RESISTANCE LEVELS.
- ENVIRONMENTALLY RESPONSIBLE; ELIMINATES PAPER TOWELS AND PAPER TOWEL DISPOSAL.
- SAVES 95% OF THE COST OF HAND DRYING.
- MINIMIZES THE INCIDENCE OF PAPER TOWELS BEING USED TO STOP UP TOILETS AND URINALS, AND THE COST OF REPAIR AND CLEAN-UP.



**B-710 CompacDryer™ SURFACE MOUNTED HAND DRYER**

One-piece grey-molded plastic cover, automatic sensor, 115V AC, 15 Amp, 1725 Watts, 60 Hz, cULus Listed. Patented.



**DESIGNER'S NOTES:**

1. When ordering, specify voltage by adding 115V or 230V following model number, example: B-700 115V.
2. B-7007, B-7507 AirCraft Dryer Colors



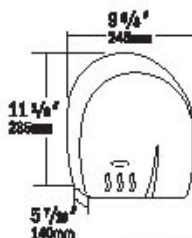
Specify color following voltage. Example: B-7007 115V #889. Colors are printed reproductions and are shown for descriptive purposes only.

3. B-705 Cub and B-710 CompacDryer are not designed for vandal-prone installations. For vandal-prone installations, use Bobrick AirCraft and B-708 AirGuard dryers with cast-iron vitreous enamel finished covers, or B-740 EclipseDryer with drawn steel, vitreous enamel finished cover.
4. Bobrick automatic hand dryers should be installed 15" (380mm) above any projection or horizontal surface which may interfere with the operation of the automatic sensor.
5. Bobrick dryers comply with EU Directive "Restriction of Hazardous Substances" (RoHS) requirements for non-use of certain hazardous substances in the production of electronic products.



**B-705 Cub™ SURFACE-MOUNTED HAND DRYER**

One-piece white-molded plastic cover, automatic sensor, 115 V AC, 9 Amp, 1035 Watts, 60 Hz, cULus Listed. Patented.



**WARRANTIES:**

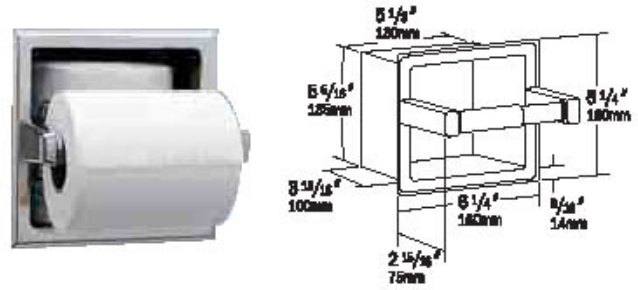
For product warranties and limitations information, see page 51.

**WARM-AIR HAND DRYER BARRIER-FREE WASHROOM GUIDELINES:**

Start buttons should be operable with one hand and with no more than 5 pounds of force (22.2 N), and they should protrude and be a contrasting color from surrounding material so visually impaired people can see them well and blind people can feel them easily; otherwise, provide automatic dryers with notouch operation. When a single dryer is installed in a washroom, it is recommended that the bottom of the dryer or the start button on Model B-731 be located 38" to 40" (965-1220mm) above the finish floor, with at least 30" x 48" (760 x 1220mm) of clear floor space centered in front of the unit to allow both left- and right-hand wheelchair approaches. When two or more dryers are installed, mount one dryer so the bottom of the dryer or the start button of Model B-731 is 38" to 40" (965-1220mm) above the finish floor and locate others at 41" to 48" (1040-1220mm), and alternate left- and righthand approaches.







**B-663 RECESSED TOILET TISSUE DISPENSER WITH STORAGE SPACE FOR EXTRA ROLL**

Bright-polished stainless steel. Chrome-plated plastic spindle holds rolls up to 5 1/8" (130mm) diameter (1500 sheets). Recessed cabinet 3 15/16" (100mm) deep holds spare roll. Unit 6 1/4" W, 6 3/4" H (160 x 160mm). Rough Wall Opening: 5 1/2" W, 5 1/2" H, 4" min. depth (140 x 140 x 100mm). Universal/Barrier-Free Mtg. Ht.: 22 1/8" (560mm) to top of unit.

**B-6637** Similar to B-663, but with satin finish.

Theft-resistant Spindle (Part No. 283-604) available as an option for above models, see page 32.



**B-4388 ConturaSeries RECESSED MULTI-ROLL TOILET TISSUE DISPENSER**

Satin-finish stainless steel unit and dispensing mechanism. Flush tumbler lock. Holds two rolls up to 5 1/4" (133mm) diameter (1800 sheets). Extra roll drops in place when bottom roll is depleted. Theft-resistant, heavy-duty spindles. Extends 2 3/4" (70mm) from wall. Rough Wall Opening: 6 3/4" W, 11 1/4" H, 3 3/4" min. depth (160 x 285 x 85mm). Av. Mtg. Ht.: 28 3/4-36 3/4" (730-935mm) to top of unit; Barrier-Free, 28 3/4" (730mm).



**B-667**



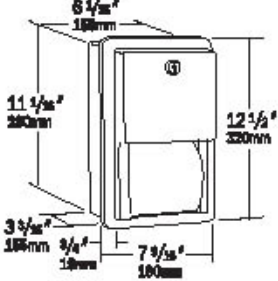
**B-697**



**B-699**

**600 SERIES RECESSED TOILET TISSUE DISPENSERS**

- Type 304 stainless steel with one-piece seamless construction.
- Choice of finish: bright-polished or satin.
- Chrome-plated plastic spindles hold rolls up to 5 1/8" (130mm) diameter (1500 sheets).
- Choice of capacity: single-roll models measure 6 1/8" W x 6 1/8" H (155 x 155mm); double-roll models measure 12 5/16" W x 6 1/8" H (315 x 155mm).
- Mounting: clamps for securing to stud walls or countertop aprons.
- Rough Wall Openings: single-roll models require 5 1/2" W x 5 1/4" H x 3 3/8" min. depth (140 x 135 x 85mm), double-roll models require 11 3/4" W x 5 1/4" H x 3 3/8" min. depth (300 x 135 x 85mm).



**B-3888 ClassicSeries RECESSED MULTI-ROLL TOILET TISSUE DISPENSER**

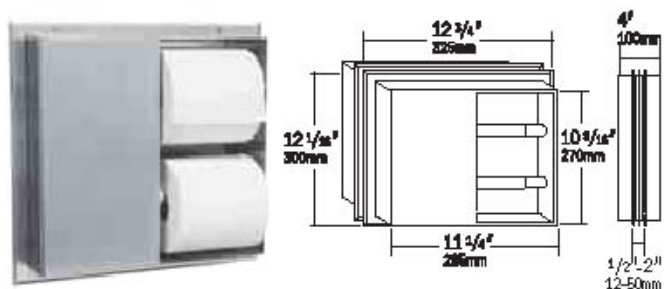
Satin-finish stainless steel unit and dispensing mechanism. Door has flat face with protruding tumbler lock. Holds two rolls up to 5 1/4" (133mm) diameter (1800 sheets). Extra roll drops in place when bottom roll is depleted. Theft-resistant, heavy-duty spindles. Extends 2 3/4" (70mm) from wall. Rough Wall Opening: 6 3/4" W, 11 1/4" H, 3 3/4" min. depth (160 x 285 x 85mm). Av. Mtg. Ht.: 28 3/4-36 3/4" (730-935mm) to top of unit; Barrier-Free, 28 3/4" (730mm).

* MODEL NO.	CAPACITY		FINISH		STAINLESS STEEL HOODS
	1 ROLL	2 ROLLS	BRIGHT	SATIN	
B-667	✓		✓		
B-6677	✓			✓	
B-669	✓		✓		✓
B-6697	✓			✓	✓
B-697		✓	✓		
B-6977		✓		✓	
B-699		✓	✓		✓
B-6997		✓		✓	✓

\*Theft-Resistant Spindle (Part No. 283-604) available as an option for all models, see page 32.



Distributed by  
**www.PandaProducts.com**  
 Phone: (800) 608-6568  
 Fax: (409) 840-5545  
 info@pandaproducts.com



**B-386 PARTITION-MOUNTED MULTI ROLL TOILET TISSUE DISPENSER (SERVES TWO TOILET COMPARTMENTS)** **S T**

Satinfinish stainless steel. Mounts centered through toilet partitions, 1/2-2" (12-50mm) thick; used from both sides. Holds four standard core toilet tissue rolls up to 5 1/8" (130mm) diameter; two for each side. Chrome-plated plastic spindles with heavy-duty internal springs. Rough Partition Opening: 11 1/4" W, 10 7/8" H (290 x 275mm). Av. Mtg. Ht.: 36" (915mm) to top of unit; Barrier-Free Mtg. Ht.: 27 1/2" (700mm). Theft-Resistant Spindle (Part No. 283-604) available as an option for above model, see page 32.



**B-2892 ClassicSeries SURFACE MOUNTED TWIN JUMBO-ROLL TOILET TISSUE DISPENSER** **T**

Satinfinish stainless steel. Equipped with tumbler lock. Spindles hold two 10" (255mm) diameter rolls with 2 1/4" (55mm) diameter core rolls; convertible for 3" (75mm) diameter core rolls. Sliding access panel exposes one roll at a time, allows easy roll change-over. Wide viewing slot in door. Quick reloading. Unit 20 13/16" W, 11 3/8" H, 5 5/16" D (530 x 290 x 135mm). Universal/Barrier-Free Mtg. Ht.: 30" (760mm) to top of unit.



**B-4288 ConturaSeries SURFACE MOUNTED MULTI-ROLL TOILET TISSUE DISPENSER** **P**

Satinfinish stainless steel unit with stainless steel dispensing mechanism. Flush tumbler lock. Holds two rolls up to 5 1/4" (135mm) diameter (1800 sheets). Extra roll automatically drops in place when bottom roll is depleted. Theft-resistant, heavy-duty spindles. Unit 6 1/16" W, 11" H, 5 15/16" D (155 x 280 x 150mm). Av. Mtg. Ht.: 28-36" (710-915mm) to top of unit; Barrier-Free, 28" (710mm).



**B-2890 SINGLE JUMBO-ROLL SURFACE MOUNTED TOILET TISSUE DISPENSER**

Satinfinish stainless steel. Equipped with spring lock. Spindle holds one 10" (255mm) diameter roll with 3" (75mm) diameter core. Convertible for 2 1/4" (70mm) and 1 5/8" (40mm) diameter core rolls. Powder-coated mounting plate. Slot reveals tissue supply. Unit 10 5/8" W, 10 5/8" H, 4 1/2" D (270 x 270 x 115mm). Universal/Barrier-Free Mtg. Ht.: 29 1/2" (750mm) to top of unit.



**B-2888 ClassicSeries SURFACE-MOUNTED MULTI-ROLL TOILET TISSUE DISPENSER** **S T**

Satinfinish stainless steel unit with stainless steel dispensing mechanism. Door has flat face with protruding tumbler lock. Holds two rolls up to 5 1/4" (135mm) diameter (1800 sheets). Extra roll automatically drops in place when bottom roll is depleted. Theft-resistant, heavy-duty spindles. Unit 6 1/16" W, 11" H, 5 15/16" D (155 x 280 x 150mm). Av. Mtg. Ht.: 28-36" (710-915mm) to top of unit; Barrier-Free, 28" (710mm).

**TOILET TISSUE DISPENSER BARRIER-FREE WASHROOM GUIDELINES:**  
 For universal access, roll-type dispensers without controlled delivery are preferred. Folded-tissue dispensers are not recommended because they require a finger-pinching action. Standard toilet tissue rolls should be mounted with their forward edge no more than 36" (915mm) from the back wall, their vertical centerline 7" to 9" (180-230mm) in front of toilet seat, and their horizontal centerline at least 19" (485mm) above the finish floor.



**B-52891 MatrixSeries SURFACE-MOUNTED JUMBO-ROLL TOILET TISSUE DISPENSER** 

Durable ABS plastic; grey color. Spindle holds one 10" (255mm) diameter roll with 3" (75mm) diameter core; convertible in field to hold 2 3/4" (55mm) diameter core roll. Concealed locking device. Viewing slot in door. Unit 10 3/4" W, 12 9/16" H, 5 1/4" D (275 x 320 x 135mm). Universal/Barrier-Free Mtg. Ht.: 31" (785mm) to top of unit. Patented.



B-2740

B-2730

**B-2740 ClassicSeries SURFACE-MOUNTED TOILET TISSUE DISPENSER FOR TWO ROLLS** 

Cast aluminum, satin finish. Plastic spindles have concealed locking device; theft-resistant. Holds two rolls up to 6" (150mm) diameter (2000 sheets). Unit 12 1/2" (320mm) wide, projects 4 7/8" (125mm) from wall. No controlled delivery. Universal/Barrier-Free Mtg. Ht.: 19 3/4" (500mm) to top of unit.


**B-274** Similar to B-2740, with controlled delivery.

**B-2730 TOILET TISSUE DISPENSER FOR SINGLE ROLL** 

Unit 6 1/2" (165mm) wide. No controlled delivery.

**B-273** Similar to B-2730, with controlled delivery.



**B-5288 MatrixSeries SURFACE-MOUNTED MULTI-ROLL TOILET TISSUE DISPENSER** 

Durable ABS plastic; grey color. Two-roll dispensing mechanism for rolls up to 5 3/4" (145mm) diameter (2000 sheets). Extra roll easily shifts into place when bottom roll is depleted. Concealed locking device. Unit 6 1/4" W, 13 1/2" H, 6 7/8" D (160 x 345 x 175mm). Av. Mtg. Ht.: 28-36" (710-915mm) to top of unit; Barrier-Free, 28" (710mm). Patented.



**B-27460 SURFACE-MOUNTED TOILET TISSUE DISPENSER FOR TWO ROLLS** 

Vandal-resistant unit; heavy-duty cast aluminum, satin finish. Tumbler lock secures spindles in place. High-impact plastic spindles hold rolls up to 6" (150mm) diameter (2000 sheets). Unit 14 1/8" (360mm) wide, projects 5 1/4" (135mm) from wall. No controlled delivery. Universal/Barrier-Free Mtg. Ht.: 20 1/8" (510mm) to top of unit. Patented.

**B-2746** Similar to B-27460, with controlled delivery. Patented.



**B-6699 SURFACE-MOUNTED TOILET TISSUE DISPENSER WITH HOOD FOR SINGLE ROLL** 

Bright-polished stainless steel. Hood protects paper. Chrome-plated plastic spindle holds rolls up to 5 1/8" (130mm) diameter (1500 sheets). Unit 6 3/16" W, 6 3/16" H (155 x 155mm); hood projects 4 3/4" (120mm) from wall with full roll in place. Universal/Barrier-Free Mtg. Ht.: 22" (560mm) to top of unit. **B-66997** Similar to B-6699, but with satin finish.

**B-6999 TOILET TISSUE DISPENSER WITH HOODS FOR TWO ROLLS**

Bright-polished finish. Unit 12 3/8" W, 6 3/16" H (315 x 155mm); hoods project 4 3/4" (120mm) from wall with full roll in place.

**B-69997** Similar to B-6999, but with satin finish.



**B-283-604 THEFT-RESISTANT SPINDLE**

Molded plastic spindle with concealed locking feature is available as an option or replacement part for Bobrick surface-mounted and recessed toilet tissue dispensers. After rolls are depleted, spindle is removed with special key furnished; theft-resistant.





B-7686



B-7685

**B-7685 ClassicSeries SURFACE-MOUNTED TOILET TISSUE DISPENSER FOR SINGLE ROLL** 

Bright-polished stainless steel. Support-arm flanges lock to concealed stainless steel wall plate. Chrome-plated plastic spindle holds rolls up to 5 1/2" (140mm) diameter (1800 sheets). Unit 7 3/4" W, 2" H (185 x 50mm); projects 3 15/16" (100mm) from wall. Universal/Barrier-Free Mtg. Ht.: 20" (510mm) to top of unit.

**B-76857** Similar to B-7685, but with satin finish.

**B-685 SURFACE-MOUNTED TOILET TISSUE DISPENSER FOR SINGLE ROLL** 

Bright-polished stainless steel. Support-arm flanges lock to concealed stainless steel wall plate. Chrome-plated plastic spindle holds rolls up to 5 1/2" (140mm) diameter (1800 sheets). Unit 7 3/4" W, 2" H (185 x 50mm); projects 3 15/16" (100mm) from wall.

**B-6857** Similar to B-685, but with satin finish.

**B-7686 ClassicSeries SURFACE-MOUNTED TOILET TISSUE DISPENSER FOR TWO ROLLS** 

Bright-polished stainless steel. Unit 12 1/2" W, 2" H (320 x 50mm); projects 3 15/16" (100mm) from wall.

**B-76867** Similar to B-7686, but with satin finish.

**B-686 SURFACE-MOUNTED TOILET TISSUE DISPENSER FOR TWO ROLLS** 

Bright-polished stainless steel. Unit 12 1/2" W, 2" H (320 x 50mm); projects 3 15/16" (100mm) from wall.

**B-6867** Similar to B-686, but with satin finish.

Theft-Resistant Spindle (Part No. 283-604) available as an option for above models, see page 32.



**B-2840 SURFACE-MOUNTED TOILET TISSUE DISPENSER WITH SHELF**

Satinfinish stainless steel. Shelf has 1/2" (13mm) returns, hemmed front edge. Chrome-plated plastic spindles hold rolls up to 5 1/2" (140mm) diameter (1800 sheets). Unit 16" W, 4" H, 5" D (405 x 100 x 125mm). Universal/Barrier-Free Mtg. Ht.: 22" (560mm) to top of unit.

Theft-Resistant Spindle (Part No. 283-604) available as an option for above model, see page 32.



**B-272 SURFACE-MOUNTED TOILET TISSUE CABINET**

Satinfinish stainless steel. Equipped with tumbler lock; vandal-resistant. Dispenses either single- or double-fold toilet tissue. Large capacity: 1330 singlefold tissues. Slots in cabinet indicate refill time. May be refilled with full standard pack before dispenser is empty. Unit 5" W, 8 15/16" H, 3" D (125 x 225 x 71.0mm).



**B-264 ClassicSeries SURFACE-MOUNTED VANDAL-RESISTANT TOILET TISSUE DISPENSER FOR SINGLE ROLL**

Bright-polished chrome-plated steel. Selflocking mechanism. Controlled delivery. Accommodates one standard-core toilet tissue roll up to 4 1/2" (115mm) diameter. Roll cannot be removed from dispenser until empty. Unit 6" W, 2 3/4" H (150 x 70mm); projects 4 3/4" (110mm) from wall.



**B-265 ClassicSeries SURFACE-MOUNTED VANDAL-RESISTANT TOILET TISSUE DISPENSER FOR TWO ROLLS**

Bright-polished chrome-plated steel. Selflocking mechanism. Controlled delivery. Accommodates two standard-core toilet tissue rolls up to 4 1/2" (115mm) diameter. Rolls cannot be removed from dispenser until empty. Unit 12 1/4" W, 2 3/4" H (310 x 70mm), projects 4 3/4" (110mm) from wall.



### DESIGNER'S NOTES:

1. Partition-mounted units B-3471, B-3571 with one side flush to partition of Barrier-Free compartment have toilet tissue on left when facing unit.
2. Recessed units B-3474, B-3574 and surface-mounted units B-3479, B-3579 have toilet tissue on right when facing unit.
3. Position unit on toilet compartment panel or side wall with centerline of toilet tissue dispenser 7"-9" (180-230mm) in front of toilet.
4. Cutouts in partitions for accessories can be precut at factory if location and size of cutouts are specified and orders for both partitions and accessories are received together.
5. When combination units are mounted in an accessible toilet compartment through the shared toilet partition panel, the unit's location in the adjoining toilet compartment must permit the unit's complete operation, and allow for the unit's door to swing clear of the toilet when custodians service the unit.



**B-357**

### ♿ **B-357 ClassicSeries PARTITION-MOUNTED SEAT-COVER DISPENSER, SANITARY NAPKIN DISPOSAL AND TOILET TISSUE DISPENSER**

Mounts centered through toilet partition. Used from both sides, serviced from one side. Capacity: 0.8-gal. (3.0L). Holds 500 toilet seat covers and two rolls of tissue for each compartment. Theft-resistant spindles. Rough Partition Opening: 15 1/2" W, 28 7/8" H (395 x 735mm). Av. Mtg. Ht.: 60" (1525mm) to top of unit.

♿ **B-3571** Similar to B-357, but one side mounts flush against partition of Barrier-Free compartment to allow clearance for grab bar. Universal/Barrier-Free Mtg. Ht.: 43 3/4" (1100mm) to top of unit.

♿ **B-3574** Similar to B-3571, but for recessed installation in side wall of single compartment. Holds 1000 toilet seat covers and two rolls of tissue. Rough Wall Opening: 16" W, 29 3/4" H, 4" min. depth (405 x 745 x 100mm). Av. Mtg. Ht.: 60" (1525mm) to top of unit; Barrier-Free, 43 3/4" (1100mm).

**B-3579** Similar to B-3574, but with stainless steel skirt for surface mounting. Av. Mtg. Ht.: 60" (1525mm) to top of unit.



**B-3471**

### ♿ **B-3471 ClassicSeries PARTITION MOUNTED SEAT-COVER DISPENSER AND TOILET TISSUE DISPENSER**

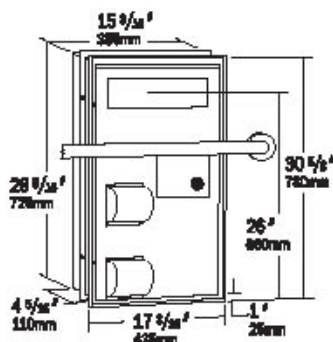
One side mounts flush against partition of BarrierFree compartment to allow clearance for grab bar. Used from both sides, serviced from one side. Holds 500 toilet seat covers and two rolls of tissue for each compartment. Theft-resistant spindles. Rough Partition Opening: 15 1/2" W, 28 7/8" H (395 x 735mm). Universal/Barrier-Free Mtg. Ht.: 43 3/4" (1100mm) to top of unit.

♿ **B-347** Similar to B-3471, but mounts centered through toilet partition. Used from both sides, serviced from one side. Average Mounting Height: 60" (1525mm) to top of unit.

♿ **B-3474** Similar to B-3471, but for recessed installation in side wall of single compartment. Holds 1000 toilet seat covers and two rolls of tissue. Rough Wall Opening: 16" W, 29 3/4" H, 4" min. depth (405 x 745 x 100mm). Av. Mtg. Ht.: 60" (1525mm) to top of unit; Barrier-Free, 43 3/4" (1100mm).

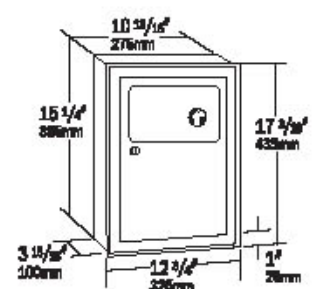
**B-3479** Similar to B-3474, but with stainless steel skirt for surface mounting. Av. Mtg. Ht.: 60" (1525mm) to top of unit.

Dimensions typical for all partition-mounted models with toilet-seat-cover dispensers.



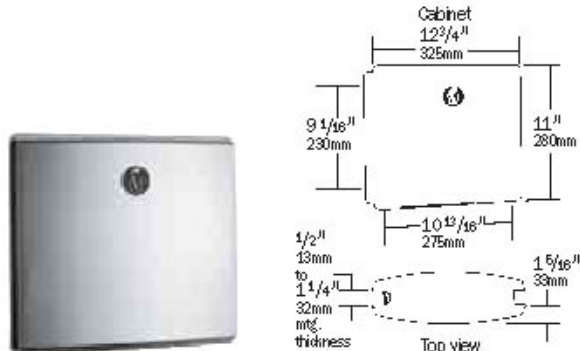
- Partition-Mounted Models B-347, B-3471, B-357, B-3571 mount through partitions 1/2" to 2" (13-51mm) thick, serving two compartments.
- Models B-3471, B-3474, B-3571, B-3574 meet accessibility guidelines.
- Toilet tissue dispensers accommodate 5 1/4" (135mm) diameter, 1800-sheet rolls.
- Flanges are one-piece seamless, doors secured with full-length stainless steel hinges, and tumbler locks keyed like other Bobrick models.
- Constructed of type 304 stainless steel throughout with satin finish on all exposed surfaces; welded construction.
- Theft-resistant spindles included.





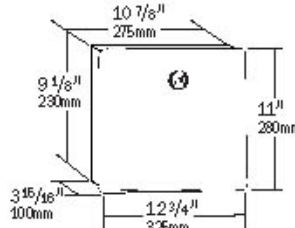
**B-353 ClassicSeries RECESSED SANITARY NAPKIN DISPOSAL** T ♿

Satin-finish stainless steel. Seamless beveled flange. Door has tumbler lock. Self-closing panel covers disposal opening. Removable, leak-proof, 1.2-gal. (4.6L) plastic receptacle. Rough Wall Opening: 11 3/4" W, 15 5/8" H, 4" min. depth (285 x 395 x 100mm). Universal/Barrier-Free Mtg. Ht.: 31" (785mm) to top of unit.



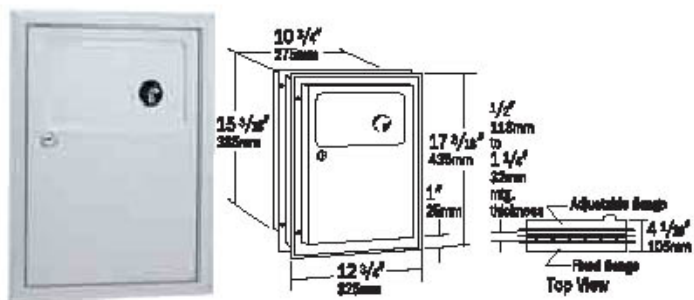
**B-4354 ConturaSeries PARTITION MOUNTED SANITARY NAPKIN DISPOSAL** P ♿

Satin-finish stainless steel. Mounts in toilet partition 1/2-1 1/4" (13-32mm) thick. Self-closing doors pull down with less than 5 lbs of force (22.2 N) for access to disposal. Removable, leak-proof, 0.7-gal. (2.7L) plastic receptacle. Rough Partition Opening: 11" W, 9 3/8" H (280 x 240mm). Universal/Barrier-Free Mtg. Ht.: 31" (785mm) to top of unit. Patented.



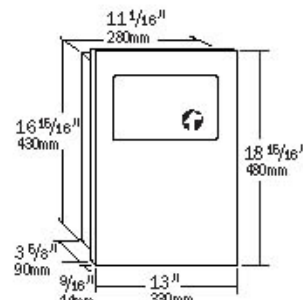
**B-4353 ConturaSeries RECESSED SANITARY NAPKIN DISPOSAL** ♿

Satin-finish stainless steel. Self-closing door pulls down for access to disposal. Furnished with removable, leak-proof, 1.2-gal. (4.6L) plastic receptacle. Rough Wall Opening: 11 3/4" W, 9 1/2" H, 4" min. depth (285 x 240 x 100mm). Universal/Barrier-Free Mtg. Ht.: 31" (785mm) to top of unit.



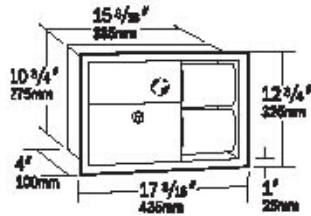
**B-354 ClassicSeries PARTITION MOUNTED SANITARY NAPKIN DISPOSAL** T ♿

Satin-finish stainless steel. Mounts in partitions 1/2-1 1/4" (13-32mm) thick. Self-closing panels cover openings. Removable, leakproof, 1.2-gal. (4.6L) plastic receptacle. Rough Partition Opening: 11" W, 15 1/2" H (280 x 395mm). Universal/Barrier-Free Mtg. Ht.: 31" (785mm) to top of unit.



**B-35303 TrimLineSeries RECESSED SANITARY NAPKIN DISPOSAL** ♿

Satin-finish stainless steel. Door has 90° return, conceals flange. Self-closing panel covers disposal opening. Removable, leak-proof, 1.2-gal. (4.6L) plastic receptacle. Rough Wall Opening: 11 1/2" W, 17 1/4" H, 3 3/4" min. depth (290 x 440 x 95mm). Universal/Barrier-Free Mtg. Ht.: 31" (785mm) to top of unit.



**B-3094 ClassicSeries RECESSED SANITARY NAPKIN DISPOSAL AND TOILET TISSUE DISPENSER**

Satinfinish stainless steel. Disposal door is self-closing. Receptacle retained in cabinet by tumbler lock. Capacity: 3/4-gal. (2.8-L). Holds two rolls up to 5 1/4" (135mm) diameter (1800 sheets). Rough Wall Opening: 15 5/8" W, 11 3/4" H, 4" min. depth (395 x 285 x 100mm). Universal/Barrier-Free Mtg. Ht.: 30" (760mm) to top of unit.

Theft-Resistant Spindle (Part No. 283-604) available as an option for above model, see page 32.



**B-254 ClassicSeries SURFACE-MOUNTED SANITARY NAPKIN DISPOSAL**

Satinfinish stainless steel. Door has tumbler lock. Selfclosing panel covers disposal opening. Removable, leak-proof, 1.2-gal. (4.6-L) plastic receptacle. Unit 10 11/16" W, 15 1/8" H, 4 1/16" D (270 x 385 x 105mm). Universal/Barrier-Free Mtg. Ht.: 30" (760mm) to top of unit.



**B-270 ConturaSeries SURFACE MOUNTED SANITARY NAPKIN DISPOSAL**

Satinfinish stainless steel. Cover is drawn, one-piece construction; secured to cabinet with full-length stainless steel piano-hinge. Capacity: 1.0-gal. (3.8-L). Unit 7 1/2" W, 10" H, 3 13/16" D (190 x 255 x 95mm). Universal/Barrier-Free Mtg. Ht.: 25-30" (635-760mm) to top of unit.



**B-5270 MatrixSeries SURFACE-MOUNTED SANITARY NAPKIN DISPOSAL**

Durable ABS plastic; grey color. Lid features fingertip handles for easy access. Capacity: 1.3-gal. (4.8-L). Unit 9 1/4" W, 11 3/8" H, 3 7/8" D (235 x 290 x 100mm). Universal/Barrier-Free Mtg. Ht.: 25-30" (635-760mm) to top of unit. Patented.

**TOILET COMPARTMENT ACCESSORIES BARRIER FREE WASHROOM GUIDELINES:**

It is critical to consult state and local jurisdictions and accessibility codes to confirm compliance of horizontal and vertical mounting locations of individual and combination accessories within toilet compartments, including toilet tissue dispensers, toilet seat cover dispensers, sanitary napkin disposals and grab bars.

**DISPOSABLE PAPER LINERS, 1000 PER CASE:**

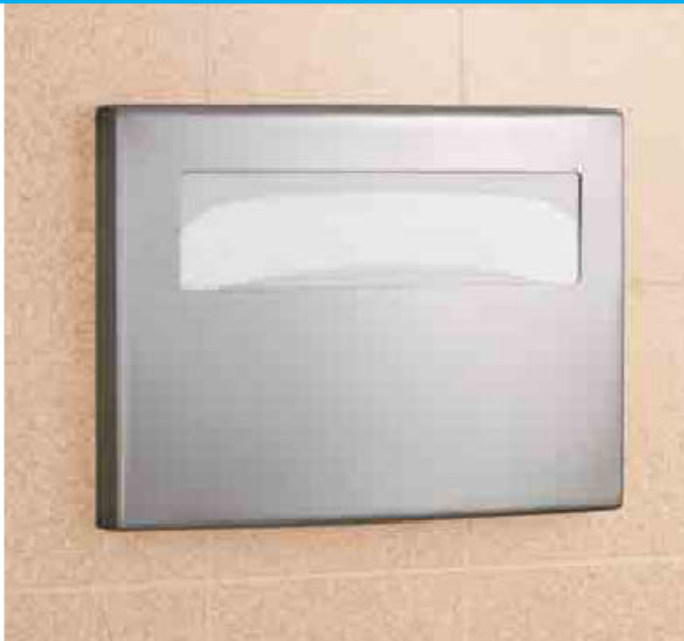
ORDER PART NO.	FOR MODEL NO.
270-12	B-270, B-5270
353-12	B-254, B-353, B-35303, B-354, B-357, B-3571, B-3574, B3579, B4353, B-4354

Distributed by  
[www.PandaProducts.com](http://www.PandaProducts.com)  
 Phone: (800) 608-6568  
 Fax: (409) 840-5545  
[info@pandaproducts.com](mailto:info@pandaproducts.com)



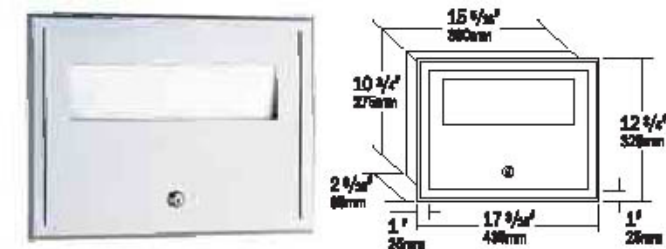


Distributed by  
**www.PandaProducts.com**  
 Phone: (800) 608-6568  
 Fax: (409) 840-5545  
 info@pandaproducts.com



**B-4221 ConturaSeries SURFACE MOUNTED SEAT-COVER DISPENSER**  

Satin-finish stainless steel. Dispenses 250 single- or half-fold toilet seat covers. Fills from bottom. Unit 15 3/4" W, 11 1/4" H, 2 1/2" D (400 x 285 x 55mm). Av. Mtg. Ht.: 45-59" (1145-1500mm) to top of unit, Barrier-Free, 30-48" (760-1220mm). Allow 5" (125mm) minimum clearance from bottom of dispenser to top of any horizontal projection for filling dispenser from below unit.



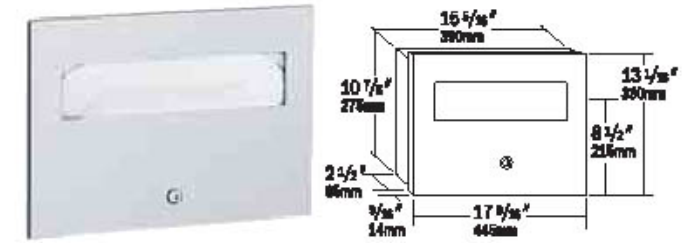
**B-301 ClassicSeries RECESSED SEAT-COVER DISPENSER**  

Satin-finish stainless steel. Seamless beveled flange. Dispenses 500 toilet seat covers. Rough Wall Opening: 15 5/8" W, 11" H, 2 5/8" min. depth (395 x 285 x 67mm). Av. Mtg. Ht.: 60" (1525mm) to top of unit; Barrier-Free, 49" (1245mm).



**B-221 ClassicSeries SURFACE MOUNTED SEAT-COVER DISPENSER**   

Satin-finish stainless steel. Dispenses 250 single- or half-fold toilet seat covers. Fills from bottom. Unit 15 3/4" W, 11" H, 2" D (400 x 280 x 50mm). Av. Mtg. Ht.: 45-59" (1145-1500mm) to top of unit, Barrier-Free, 30-48" (760-1220mm). Allow 5" (125mm) minimum clearance from bottom of dispenser to top of any horizontal projection for filling dispenser from below unit.



**B-3013 TrimLineSeries RECESSED SEAT-COVER DISPENSER** 

Satin-finish stainless steel. Door has 90° return, conceals flange. Dispenses 500 toilet seat covers. Rough Wall Opening: 15 5/8" W, 11 1/4" H, 2 3/4" min. depth (395 x 285 x 70mm). Av. Mtg. Ht.: 60" (1525mm) to top of unit; Barrier-Free, 49" (1245mm).



**B-5221 MatrixSeries SURFACE MOUNTED SEAT-COVER DISPENSER** 

Durable ABS plastic; grey color. Dispenses 250 single- or half-fold toilet seat covers. Fills from bottom. Unit 16 1/8" W, 11 1/2" H, 2 1/2" D (410 x 290 x 65mm). Av. Mtg. Ht.: 45-59" (1145-1500mm) to top of unit, Barrier-Free, 30-48" (760-1220mm). Allow 5" (125mm) minimum clearance from bottom of dispenser to top of any horizontal projection for filling dispenser from below unit. Patented.



**CONFIGURATIONS, DIMENSIONS, FINISHES:**



**1 1/2" (38MM) DIA. STRAIGHT/SATIN**

- B-6806x12" (305mm)
- ☞ B-6806x18" (455mm)
- ☞ B-6806x24" (610mm)
- ☞ B-6806x30" (760mm)
- ☞ B-6806x36" (915mm)
- ☞ B-6806x42" (1065mm)
- ☞ B-6806x48" (1220mm)

**1 1/2" (38MM) DIA. STRAIGHT/PEENED**

- ☞ B-6806.99x18" (455mm)
- ☞ B-6806.99x24" (610mm)
- ☞ B-6806.99x30" (760mm)
- ☞ B-6806.99x36" (915mm)
- ☞ B-6806.99x42" (1065mm)
- ☞ B-6806.99x48" (1220mm)



**1 1/4" (32MM) DIA. STRAIGHT/SATIN**

- B-5806x12" (305mm)
- ☞ B-5806x18" (455mm)
- ☞ B-5806x24" (610mm)
- ☞ B-5806x30" (760mm)
- ☞ B-5806x36" (915mm)
- ☞ B-5806x42" (1065mm)
- ☞ B-5806x48" (1220mm)

**1 1/4" (32MM) DIA. STRAIGHT/PEENED**

- B-5806.99x12" (305mm)
- ☞ B-5806.99x18" (455mm)
- ☞ B-5806.99x24" (610mm)
- ☞ B-5806.99x30" (760mm)
- ☞ B-5806.99x36" (915mm)
- ☞ B-5806.99x42" (1065mm)
- ☞ B-5806.99x48" (1220mm)

**CONCEALED MOUNTING WITH SNAP FLANGE**

- \* Constructed of 18-gauge (1.2mm), type 304 satin finish stainless steel tubing in 1 1/4" and 1 1/2" (32 and 38mm) diameters.
- \* Concealed mounting flange 1/8" (3mm) thick, type 304 stainless steel plate, 2" W x 3 1/8" H (50 x 80mm), with screw holes for concealed anchors.
- \* Cover is 22-gauge (0.8mm), type 304 stainless steel with satin finish, 3 1/4" (85mm) diameter.
- \* Cover snaps over mounting flange to conceal screws.
- \* Peened nonslip gripping surface available.



SERIES	DIAMETER	FINISH*
B-6806*	1 1/2" (38mm)	Satin Finish
B-5806*	1 1/4" (32mm)	Satin Finish

\*Peened nonslip gripping surface available. Add suffix .99 to model number.

**GRAB BAR BARRIER-FREE WASHROOM GUIDELINES:**

Diameter of grab bars should be 1 1/4" to 1 1/2" (32-38mm) with 1 1/2" (38mm) clearance from the wall. Grab bars should not rotate in their fittings. The required mounting height is universally 33" to 36" (840-915mm) from the centerline of the grab bar to the finish floor. The structural strength of all grab bars and their mounting devices should withstand more than 250 pounds of force (1112 N). For all Barrier-Free toilet compartments, individual toilet rooms and guest bathrooms, it is recommended that a 36" (915mm) minimum horizontal grab bar be installed on the back wall over the toilet and a 42" (1065mm) minimum horizontal grab bar be installed on the side wall or partition nearest the toilet. This can also be accomplished with a single horizontal two-wall grab bar.

**OPTIONAL MOUNTING KITS**

Order one per flange. Part No. ☞252-30 (3) sheet-metal screws; 2521-30 (3) machine screws with toggle nuts; 2522-30 (3) machine screws with expansion shields.

**OPTIONAL ANCHOR DEVICES**

Order one per flange. Part No. 2583 anchors for 3/4" to 1" (19-25mm) panels; 2586 anchors for 1/2" (13mm) panels.



**TWO-WALL TUB/SHOWER TOILET COMPT.**

- 24" W x 36" D (61 x 91cm)
- 1 1/2" (38mm) Dia.
- B-68616 Satin
- B-68616.99 Peened
- 1 1/4" (32mm) Dia.
- B-58616 Satin
- B-58616.99 Peened



**TWO-WALL TUB/SHOWER TOILET COMPT.**

- 36" W x 54" D (91 x 137cm)
- 1 1/2" (38mm) Dia.
- ☞ B-68137 Satin
- B-68137.99 Peened
- 1 1/4" (32mm) Dia.
- B-5837 Satin
- B-5837.99 Peened



**TWO-WALL SHOWER**

- 15 7/8" W x 30 7/8" D (40 x 78cm)
- 1 1/2" (38mm) Dia.
- ☞ B-6861 Satin
- B-6861.99 Peened



**TWO-WALL TOILET COMPT.**

- 42" W x 54" D (107 x 137 cm)
- 1 1/2" (38mm) Dia.
- ☞ B-6897 Satin
- B-6897.99 Peened
- 1 1/4" (32mm) Dia.
- B-5897 Satin
- B-5897.99 Peened



**SWING UP**

- 29" (74cm) Patented
- 1 1/4" (32mm) Dia.
- B-4998 Satin
- B-4998.99 Peened



**☞251-4 WingIt™ GRAB BAR FASTENER**

For 2 1/2" and 3 1/2" (65 and 90mm) or deeper hollow walls with finished wall surfaces 1/4" to 1 1/2" (6 to 38mm) thick. One fastener required for each flange. Corrosion-resistant stainless steel. Install grab bars without backing. The fastener will support 300 lbs (136 kg) load. Patented.

WingIt™ is a trademark of WingIt Innovations, LLC.





**B-7681 SURFACE-MOUNTED SOAP DISH AND BAR**

Bright-polished stainless steel. Drawn, one-piece soap dish welded to support arm and flange. Two ridges hold soap; two drain holes.  $\frac{3}{4}$ " (19mm) square bar  $8\frac{1}{2}$ " (215mm) long. Unit 12" W, 2" H (305 x 50mm); projects  $3\frac{3}{8}$ " (85mm) from wall.



**B-7680 ClassicSeries SURFACE-MOUNTED SOAP DISH**

Bright-polished stainless steel. Drawn, one-piece soap dish welded to support arm and flange. Two ridges hold soap; two drain holes. Unit  $4\frac{1}{4}$ " W, 2" H (110 x 50mm); projects  $4\frac{1}{8}$ " (105mm) from wall.

**B-76807** Similar to B-7680, but with satin finish.

**B-680 SOAP DISH** Similar to B-7680, but unit  $4\frac{1}{2}$ " W, 2" H (115 x 50mm); projects  $3\frac{3}{8}$ " (85mm) from wall.

**B-6807** Similar to B-680, but with satin finish.



**B-973 VANDAL-RESISTANT SURFACE-MOUNTED SOAP DISH**

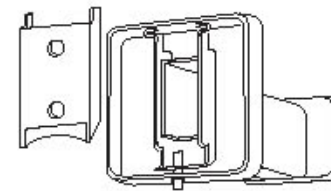
Extra-heavy, chrome-plated cast bronze. Bright-polished finish. All edges are rounded for safety. Raised center and drainage holes. Furnished with tamper resistant mounting screws. Unit 5" W,  $1\frac{3}{8}$ " H, 3" D (125 x 45 x 75mm).



**B-7679 ClassicSeries SURFACE-MOUNTED TOOTHBRUSH AND TUMBLER HOLDER**

Bright-polished stainless steel. Drawn, one-piece holder welded to support arm and flange.  $2\frac{3}{8}$ " (60mm) diameter hole in center of unit to hold tumbler. Accommodates six toothbrushes, three on each side. Unit  $4\frac{1}{4}$ " W, 2" H (110 x 50mm); projects  $4\frac{1}{8}$ " (105mm) from wall.

**B-76797** Similar to B-7679, but with satin finish.



**CONCEALED MOUNTING BRACKET**

Unique 2-piece mounting system. Concealed mounting bracket of 18-gauge (1.2mm) stainless steel, welded inside each flange, mounts on 19-gauge (1.0mm) stainless steel wall plate. Includes a stainless steel locking setscrew on bottom.

## STANDARD USE BUILDINGS

Commercial Office Facilities  
Healthcare Centers  
Hospitality Projects  
Manufacturing Plants

### **Restroom Usage and Accessory Requirements:**

Moderate to heavy traffic  
Some heavy use and abuse  
Equipment durability important  
Budget-sensitive specifications







**B-687 SURFACE-MOUNTED DOOR BUMPER**

Bright-polished stainless steel. Flange is 2" x 2" (50 x 50mm). Black nylon post with black neoprene bumper. Projects 2 1/8" (55mm) from wall.



**B-7673 ClassicSeries SURFACE-MOUNTED TOWEL BAR**

Bright-polished stainless steel. 3/4" (19mm) square towel bar. Available in 18" and 24" lengths (455, 610mm). Projects 3 1/4" (85mm) from wall.

**B-76737** Similar to B-7673, but with satin finish.

**B-673 SURFACE-MOUNTED TOWEL BAR** Similar to B-7673. Available in 18" and 24" lengths (455, 610mm).

**B-6737** Similar to B-673, but with satin finish. 24" length (610mm).



**B-683 SURFACE-MOUNTED TOILETRY SHELF**

Bright-polished stainless steel. 24" length (610mm). Shelf 4 3/4" (120mm) wide, projects 5 3/4" (145mm) from wall. Edges are rollformed for safety.



**B-7674 ClassicSeries SURFACE-MOUNTED TOWEL BAR**

Bright-polished stainless steel. Round 3/4" (19mm) diameter towel bar. Available in 18" and 24" lengths (455, 610mm). Projects 3 1/4" (85mm).

**B-76747** Similar to B-7674, but with satin finish.

**B-674 SURFACE-MOUNTED TOWEL BAR** Similar to B-7674. Available in 18" and 24" lengths (455, 610mm).

**B-6747** Similar to B-674, but with satin finish. 24" length (610mm).



**B-7676 ClassicSeries SURFACE-MOUNTED TOWEL SHELF WITH TOWEL BAR**

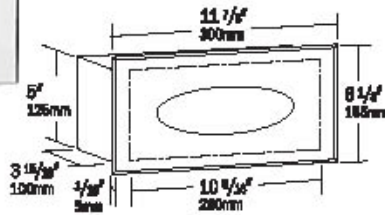
Bright-polished stainless steel. Shelf 6 1/4" (160mm) wide, consists of four 3/8" (10mm) round tubes mounted in support arms. 1/4" (6mm) round towel bar below shelf. 24" length (610mm). Overall height is 4 1/4" (110mm). Projects 8 1/4" (210mm) from wall.

**B-76767** Similar to B-7676, but with satin finish.

**B-676 SURFACE-MOUNTED TOWEL SHELF WITH TOWEL BAR** Similar to B-7676. Shelf 6 1/4" (160mm) wide, consists of four 5/16" (8mm) square tubes. 5/16" (8mm) square towel bar below shelf. 24" length (610mm). Projects 8 1/2" (215mm) from wall.

**SURFACE-MOUNTED BATHROOM ACCESSORIES BARRIER-FREE GUIDELINES:**

It is recommended that surface-mounted bathroom accessories be mounted 38" to 48" (965-1220mm) above the finish floor. Soap dishes should be placed on the same wall as the shower head and controls where they are least likely to collect standing water. Over bathtubs, soap dishes should be mounted between the grab bar and the rim of bathtubs.



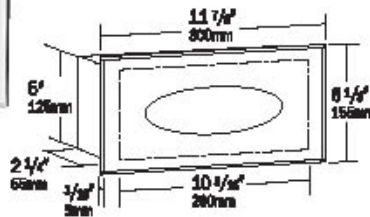
**B-355 RECESSED FACIAL 300-TISSUE DISPENSER**

Dispenses 300 two-ply facial tissues. Faceplate type 304 stainless steel, satin finish. Galvanized-steel mounting cabinet. Unit 11 7/8" W, 6 1/8" H, 4" D (300 x 155 x 100mm). Rough Wall Opening: 10 3/4" W, 5 1/4" H, 4" min. depth (275 x 135 x 100mm).



**B-530 EXTRA-HEAVY-DUTY SURFACE-MOUNTED TOWEL BAR**

For use in hospital and hotel bathrooms. 1" (25mm) diameter bar is 18-gauge (1.2mm), type 304 stainless steel, satin finish. mounting with snap flange. Withstands 900 lbs (408 kg) downward pull when properly installed. Available in 18" and 24" lengths (455, 610mm).



**B-3552 RECESSED FACIAL 100-TISSUE DISPENSER**

Dispenses one pack of 100 two-ply facial tissues. Faceplate type 304 stainless steel, satin finish. Galvanized-steel mounting cabinet. Unit 11 7/8" W, 6 1/8" H, 2 1/4" D (300 x 155 x 55mm). Rough Wall Opening: 10 3/4" W, 5 1/4" H, 2 3/8" min. depth (275 x 135 x 60mm).

**DESIGNER'S NOTE:**

For added safety in hospital and hotel bathrooms, grab bars are recommended for use as towel bars.



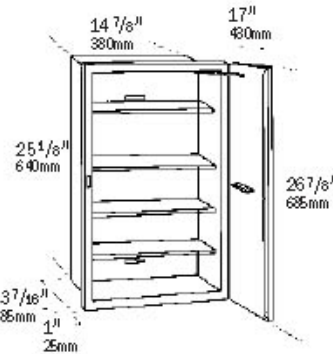
**B-8397 SURFACE-MOUNTED FACIAL 100-TISSUE DISPENSER**

Dispenses one pack of 100 two-ply facial tissues. Cabinet type 304 stainless steel, satin finish. Equipped with concealed locking device; opens with key provided. Concealed wall plate is 22-gauge (0.8mm), type 304 stainless steel. Unit 10 1/4" W, 5 3/16" H, 2 1/4" D (260 x 130 x 55mm).





**B-398**



Unit combines adjustable shelves, mirror, used razor blade slot, and toothbrush holder.

**B-398 RECESSED MEDICINE CABINET**



Type 304 stainless steel, satin finish. Mirror: No. 1 quality, 1/4" (6mm) glass electrolytically copper-plated. 15-year guarantee against silver spoilage. Door has full-length stainless steel piano-hinge, magnetic catch and cable doorstop. Four adjustable stainless steel shelves. Cabinet may be inverted for right- or left-hand door swing. Rough Wall Opening: 15 1/4" W, 25 1/2" H, 3 5/8" min. depth (385 x 650 x 90mm). Av. Mtg. Ht.: 74" (1880mm) to top of unit; Barrier-Free, 66 1/2" (1690mm).

**B-299** Surface-Mounted Medicine Cabinet Similar to B-398. Unit 17" W, 26 7/8" H, 5" D (430 x 685 x 130mm).

**B-397 RECESSED MEDICINE CABINET**



All-steel cabinet with baked white enamel finish. Three adjustable plastic shelves. Mirror: No. 1 quality, 1/4" (6mm) glass electrolytically copper-plated. Door has enameled steel piano-hinge and magnetic catch. Door is 15 1/2" W, 25 7/8" H (405 x 655mm). Rough Wall Opening: 14" W, 23 5/8" H, 3 1/2" min. depth (355 x 600 x 90mm). Av. Mtg. Ht.: 73" (1855mm) to top of unit; Barrier-Free, 65 1/2" (1665mm).

**B-297 SURFACE-MOUNTED MEDICINE CABINET**



All-steel cabinet and two fixed shelves with baked white enamel finish. Mirror: No. 1 quality, 1/8" (3mm) glass electrolytically copper-plated. Door has enameled steel piano-hinge and magnetic catch. Door is 14 1/8" W, 20 1/4" H (360 x 515mm). Unit 3 3/4" (95mm) deep. Av. Mtg. Ht.: 69" (1755mm) to top of unit; Barrier-Free, 60" (1525mm).

2 1/2" (65mm) Square Flange for B-6047 and B-6107



**B-6047 ClassicSeries EXTRA HEAVY-DUTY SHOWER CURTAIN ROD**



Type 304 stainless steel, satin finish. 18-gauge (1.2mm), 1 1/4" (32mm) diameter rod. Flanges are 2 1/2" (65mm) square. Available in 36" (915mm), 48" (1220mm), 60" (1525mm), 72" (1830mm) lengths.

**B-6107 ClassicSeries HEAVY-DUTY SHOWER CURTAIN ROD**



Similar to B-6047, but with 20-gauge (1.0mm), 1" (25mm) diameter rod. Available in 36" (915mm), 48" (1220mm), 60" (1525mm), 72" (1830mm) lengths.



**B-207 SHOWER CURTAIN ROD WITH CONCEALED MOUNTING**

1" (25mm) diameter rod is 20-gauge (1.0mm), type 304 stainless steel, satin finish. 1 3/8" (35mm) diameter flanges are chrome-plated plastic, brightpolished finish; mount on concealed wall brackets. Available in 36" (915mm), 48" (1220mm), 60" (1525mm), 72" (1830mm) lengths.



**204-2 VINYL SHOWER CURTAIN**



Opaque, matte white vinyl, 0.008" (0.2mm) thick, contains anti-bacterial and flame-retardant agents. Nickel-plated brass grommets along top, one every 6" (150mm). Bottom and sides are hemmed. Hooks are not included. Curtain 42" W, 72" H (1065 x 1830mm). Requires 7 hooks.

**204-3** Similar to 204-2, but curtain is 70" W, 72" H (1780 x 1830mm). Requires 12 hooks.



**204-1 SHOWER CURTAIN HOOK** Type 304 stainless steel for use on 1" and 1 1/4" (25 and 32mm) diameter shower curtain rods.

**MEDICINE CABINET BARRIER-FREE BATHROOM GUIDELINES:**

Units should be mounted so the bottom edge of the reflective surface is no higher than 40" (1015mm) above the finish floor and at least one accessible shelf is no higher than 44" (1120mm) above the finish floor.



**B-4390 RECESSED HEAVY-DUTY SOAP DISH AND BAR**

Type 304 stainless steel, matte polished finish. Mounting clamp for stud walls. Unit 7 3/16" W, 5" H (185 x 125mm). Rough Wall Opening: 6" W, 4" H, 4" min. depth (150 x 100 x 100mm). Barrier-Free Mtg. Ht.: 38-48" (965-1220mm) above the finish floor on same wall as shower head.

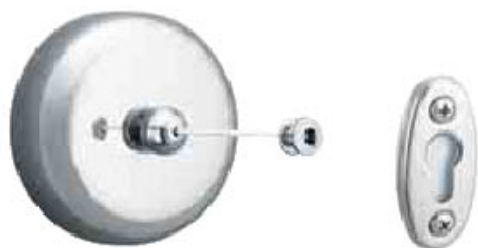
**B-4380** Similar to B-4390, but without bar.



**B-518 FOLDING SHOWER SEAT**

Complies with ADA Barrier-Free Accessibility Guidelines. Foam-padded, white, water-resistant Naugahyde seat 1 1/2" (38mm) thick, with enclosed 1/2" (1.3mm) plywood base. Frame and mounting brackets are type 304 stainless steel and feature selflocking mechanism. Supports up to 360 lbs (163 kg) when properly installed. Seat 32 7/8" (835mm) wide, projects 22 1/4" (575mm) from wall. Universal/Barrier-Free Mtg. Ht.: 17-19" (430-485mm) from top of seat to floor. Left-hand seat.

**B-517** Similar to B-518, but with right-hand seat.



**B-7636 ClassicSeries SURFACE-MOUNTED RETRACTABLE CLOTHESLINE**

Installs over bathtub or in shower. 10-ft (305cm) clothesline pulls out for convenient use; retracts neatly out of way. Locking knob on cover secures line. Retainer bracket mounts on opposite wall to secure clothesline. Cover and retainer bracket are bright-polished stainless steel. Unit 3 5/8" (90mm) diameter; projects 1 5/32" (30mm) from wall. Av. Mtg Ht: 70" (1780mm) to top of unit; Barrier-Free, 38-48" (965-1220mm).



**B-5181 REVERSIBLE FOLDING SHOWER SEAT**

Complies with ADA Barrier-Free Accessibility Guidelines. Seat is constructed of durable, water-resistant, ivory-colored 1/2" (1.3mm) thick solid phenolic. Reversible for left- or right-hand field installation. Frame and mounting brackets are type 304 stainless steel with selflocking mechanism. Supports up to 360 lbs (163 kg) when properly installed. Seat 33" (840mm) wide, projects 22 5/16" (565mm) from wall. Universal/Barrier-Free Mtg. Ht.: 17-19" (430-485mm) from top of seat to floor. Left-hand seat shown.

**CAUTION: FOLDING SHOWER SEAT NOTES**

**L-shaped Folding Shower Seats: B-517, B-518, B-5181**  
 L-shaped folding shower seats, when properly installed and maintained, have sufficient strength to support a single user up to a maximum static load of 360 lbs (163 kg). In the interests of safety and the protection of end users, these seats should not be used to support weights exceeding 360 lbs (163 kg). Failure to abide by this warning may result in seats malfunctioning, potentially causing minor to moderate injury.  
**TOTAL WEIGHT ON SEAT MUST NOT EXCEED 360 LBS (163 KG).**

**Rectangular Folding Shower Seat: B-5191**  
 Rectangular folding shower seat, when properly installed and maintained, has sufficient strength to support a single user up to a maximum static load of 450 lbs (204 kg). In the interests of safety and the protection of end users, this seat should not be used to support weights exceeding 450 lbs (204 kg). Failure to abide by this warning may result in seat malfunctioning, potentially causing minor to moderate injury.  
**TOTAL WEIGHT ON SEAT MUST NOT EXCEED 450 LBS (204 KG).**




**B-5191 FOLDING SHOWER/DRESSING AREA SEAT**

Compact design. Seat is constructed of durable, water-resistant, ivory-colored, 5/16" (8mm) thick solid phenolic. Frame and mounting bracket are type 304 stainless steel and feature selflocking mechanism. Supports up to 450 lbs (204 kg) when properly installed. Seat 18" (455mm) wide, projects 15 1/4" (400mm) from wall. Universal/Barrier-Free Mtg. Ht.: 17-19" (430-485mm) from top of seat to floor.

**DESIGNER'S NOTE:**  
 Solid phenolic seats available in other colors on special order. See Bobrick Solid Phenolic Color Guide.





**B-7672 ClassicSeries DOUBLE ROBE HOOK**   
Bright-polished stainless steel. Contoured 4" (100mm) wide bar forms hook at each end. Flange is 2" x 2" (50 x 50mm). Projects 1 7/8" (50mm) from wall.

**B-76727** Similar to B-7672, but with satin finish.

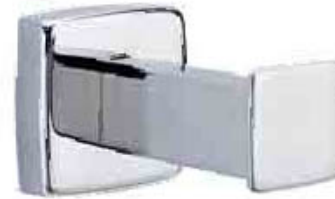
**B-672 DOUBLE ROBE HOOK**   
Similar to B-7672, but projects 2 1/4" (60mm) from wall.


**B-6727** Similar to B-672, but with satin finish.



**B-670 UTILITY HOOK**   
Bright-polished stainless steel. For robes, shoe-shine cloth, and sanitary napkin disposal bag. Flange is 2" x 2" (50 x 50mm). Hook 1/2" (13mm) wide, projects 2" (50mm) from wall.

**B-6707** Similar to B-670, but with satin finish.



**B-677 TOWEL PIN**   
Bright-polished stainless steel. Flange is 2" x 2" (50 x 50mm). Projects 3 3/8" (85mm) from wall.

**B-6777** Similar to B-677, but with satin finish.




**B-7671 ClassicSeries SINGLE ROBE HOOK**   
Bright-polished stainless steel. Flange is 2" x 2" (50 x 50mm). Projects 1 5/8" (40mm) from wall.

**B-76717** Similar to B-7671, but with satin finish.

**B-671 SINGLE ROBE HOOK**   
Similar to B-7671, but flange projects 2" (50mm) from wall.

**B-6717** Similar to B-671, but with satin finish.



**B-212 CLOTHES HOOK AND BUMPER**   
Solid aluminum casting, matte finish. Rubber bumper protects wall or partition surfaces. Flange is 1 1/2" W, 2" H (40 x 50mm). Unit projects 3 3/4" (95mm).

Distributed by  
**www.PandaProducts.com**  
 Phone: (800) 608-6568  
 Fax: (409) 840-5545  
 info@pandaproducts.com



**B-233 CLOTHES HOOK**



11-gauge (3.2mm), type 304 stainless steel, satin finish. Hook is 1 3/4" x 1 3/4" (30 x 30mm) and projects 1 1/8" (30mm) from wall. Unit is 2 1/4" (55mm) high.



**B-7682 HAT AND COAT HOOK**



Bright-polished stainless steel. Flange is 2" x 2" (50 x 50mm). Hook is 1" W, 7 1/4" H (25 x 180mm); projects 2 3/4" (70mm) from wall. Concealed wall plate.

**B-76827** Similar to B-7682, but with satin finish.



**B-2116**



**B-211**

**B-2116 HEAVY-DUTY CLOTHES HOOK WITH CONCEALED MOUNTING**



Locks to wall plate with three stainless steel setscrews for theft-resistant mounting. Hook and flange are one-piece brass casting with satin nickel-plated finish to match stainless steel. Withstands 300 lbs (136 kg) downward pull. Flange diameter: 2 3/4" (70mm). Unit projects 3 7/8" (85mm).

**B-211** Similar to B-2116, but with three exposed countersunk mounting screw holes.



**B-983 VANDAL-RESISTANT CLOTHES HOOK (SECURED FROM FRONT)**



Type 304 satinfinish stainless steel. Back plate is 14-gauge (2mm). Hook snaps down for safety if excessively loaded. Back plate 4" W, 4" H, 7/8" D (100 x 100 x 20mm). Hook projects 1 3/4" (30mm) from back plate. Furnished with tamper-resistant mounting screws. Patented.



**B-682 HAT AND COAT HOOK**



Bright-polished stainless steel. Flange is 2" x 2" (50 x 50mm). Hook is 1" W, 6 1/2" H (25 x 165mm); projects 3 1/4" (80mm) from wall. Concealed wall plate.

**B-6827** Similar to B-682, but with satin finish.

**CLOTHES HOOK BARRIER-FREE BATHROOM GUIDELINES:**

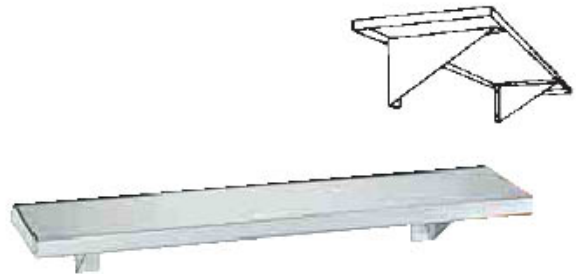
It is recommended that surface-mounted hooks, hook strips and shelves be mounted 38" to 40" (965-1220mm) above the finish floor.





**B-981 VANDAL-RESISTANT CLOTHES HOOK** 

For budget installations. 12-gauge (2.7mm), type 304 stainless steel bracket with 7-gauge (4.5mm) stainless steel hook. Hook pivots down for safety if excessively loaded. Hook tension adjustable. Furnished with tamper-resistant mounting screws. Hook 4 5/16" H, 1" W (110 x 25mm); projects 3" (75mm) from wall.



**B-295 STAINLESS STEEL SHELF**

5" (125mm) wide, 18-gauge (1.2mm), type 304 stainless steel, satin finish. 3/4" (19mm) return edge; front edge is hemmed for safety. Brackets are 16-gauge (1.6mm). Available in one-piece lengths: ~~3'~~16", ~~3'~~18", ~~3'~~24", 36" (405, 455, 610, 915mm).

**B-296** Similar to B-295, but shelf is 6" (150mm) wide, 18", 24" (455, 610mm) lengths.

**B-298** Similar to B-295, but shelf is 8" (205mm) wide, 18", 24", 36" (455, 610, 915mm) lengths.



**B-232 HOOK STRIP**

Type 304 stainless steel, satin finish. Hooks are 1" W, 6 1/2" H (25 x 165mm); project 2 1/4" (55mm) from wall. Mounting strip is 4" (100mm) high and has 1/4" (6mm) return.

MODEL NO.	NO. HOOKS	LENGTH
<del>B-232</del> x24	3	24" (610mm)
<del>B-232</del> x36	4	36" (915mm)



**B-287 FOLDING UTILITY SHELF**

Easily installed on toilet partition or wall. Type 304 stainless steel, satin finish. Pull-down shelf returns to upright position when not in use. Supports 100 lbs (444.8 N) when properly installed. Shelf 14 1/2" long, 5 3/4" wide (370 x 145mm).



**B-985 VANDAL-RESISTANT HOOK STRIP** 

Back plate is 14-gauge (2mm), type 304, satin-finish stainless steel. Four stainless steel hooks snap down for safety if excessively loaded. Furnished with tamper-resistant mounting screws. Unit 18" W, 5 1/2" H, 7/8" D (455 x 140 x 20mm). Hooks project 1 1/4" (30mm) from back plate. Patented.

**DESIGNER'S NOTE:**

Models B-295, B-296 and B-298 stainless steel shelves are available on special order in lengths up to 28 ft (853cm). Shelves longer than 8 ft (244cm) are furnished in multiple sections. 10" and 12" (255 and 305mm) wide shelves are also available on special order. Contact your Bobrick Representative for full details.



**B-223 MOP AND BROOM HOLDER**

Type 304 stainless steel, satin finish. Anti-slip mop holders have spring-loaded rubber cam that grips handles  $\frac{7}{8}$ " to  $1\frac{1}{4}$ " (20-30mm) diameter. Holds mops  $3\frac{1}{4}$ " (85mm) from wall. Height  $5$ " (125mm).

**MODEL NO. NO. HOLDERS LENGTH**

B-223x24	3	24" (610mm)
B-223x30	4	30" (760mm)
B-223x36	4	36" (915mm)



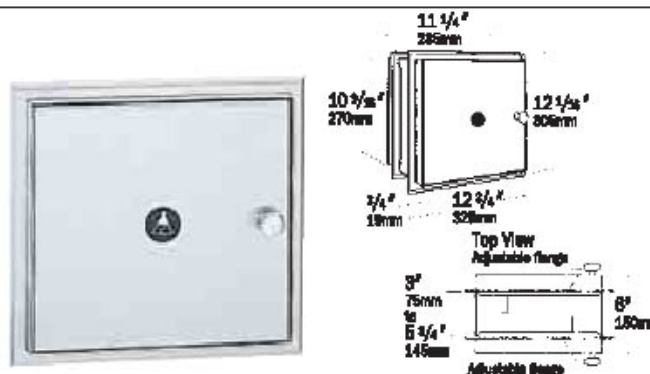
**B-633 STAINLESS STEEL CORNER GUARDS**

Eliminate expensive maintenance work. 18-gauge (1.2mm), type 304 stainless steel, satin finish. No sharp edges. Furnished with adhesive mounting for easy permanent installation. Unit  $3\frac{1}{2}$ " x  $3\frac{1}{2}$ " (90 x 90mm);  $48$ " (1,220mm) long.



**B-224 SHELF WITH MOP AND BROOM HOLDERS AND RAG HOOKS**

Shelf is 18-gauge (1.2mm), type 304 stainless steel, satin finish;  $36$ " Long,  $6$ " H,  $8$ " D (915 x 150 x 205mm). Four anti-slip mop holders have spring-loaded rubber cam that grips handles  $\frac{7}{8}$ " to  $1\frac{1}{4}$ " (20-30mm) diameter. Holds mops  $8$ " (205mm) from wall. Three stainless steel rag hooks. Rod for wet rags below shelf.



**B-505 RECESSED SPECIMEN PASS-THRU CABINET**

Provides convenient passage for specimen from patient area to laboratory. Mounts in walls  $3$ " to  $5\frac{3}{4}$ " (75-145mm) thick. Type 304 stainless steel, satin finish. Self-closing doors. Interlocking mechanism prevents both doors from being open at the same time; provides sight barrier. Removable stainless steel tray. Rough Wall Opening:  $11\frac{1}{2}$ " W,  $10\frac{7}{8}$ " H (290 x 275mm);  $3$ " to  $5\frac{3}{4}$ " (75-145mm) thick.



**B-239 SHELF WITH MOP AND BROOM HOLDERS AND HOOKS**

Shelf is 18-gauge (1.2mm), type 304 stainless steel, satin finish;  $34$ " Long,  $13$ " H,  $8$ " D (865 x 330 x 205mm). Three anti-slip mop holders have spring-loaded rubber cam that grips handles  $\frac{7}{8}$ " to  $1\frac{1}{4}$ " (20-30mm) diameter. Four stainless steel hooks.



**B-235 SURFACE-MOUNTED PAPER CUP DISPENSER**



Satinfinish stainless steel. Dispenses 150 3-oz (0.1-L) cups. Also adjusts to dispense up to 6-oz (0.2L) cups. Tumbler lock on top and stainless steel piano-hinge on bottom. Cabinet swings down for easy filling. Slot on front indicates refill time. Unit  $3\frac{1}{4}$ " W,  $14\frac{1}{2}$ " H,  $3\frac{1}{4}$ " D (85 x 370 x 85mm). Universal/Barrier-Free Mtg. Ht.:  $52\frac{1}{2}$ - $58\frac{1}{2}$ " (1,335-1,485mm) to top.





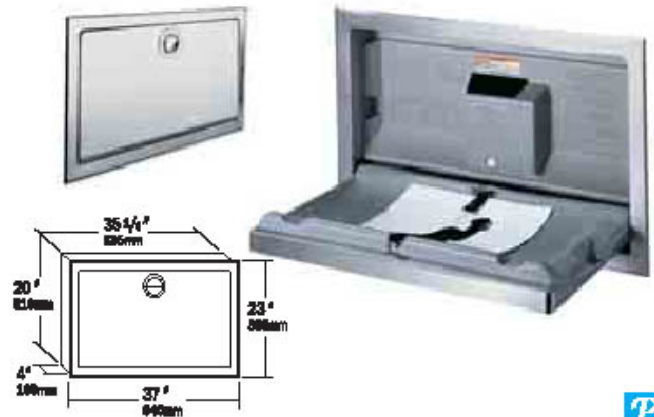
**MICROBAN® ANTIMICROBIAL PRODUCT PROTECTION: A KOALA BABY CHANGING STATION EXCLUSIVE.**

Microban technology is built into Koala Baby Changing Stations and becomes an intrinsic part of the Station. When microbes, such as bacteria, mold and mildew that can cause stains, odors and product deterioration come into contact with the station surface, Microban protection penetrates the cell wall of the microbe and disrupts key cell functions so that the microbe cannot function, grow or reproduce. Microban helps Koala Baby Changing Stations stay cleaner between cleanings. Please see Microban Technical Bulletin, TB-12.

Microban is a registered trademark of Microban Products Company.

**DESIGNER'S NOTES:**

1. Full-length steel-on-steel hinges with 11-gauge steel mounting supports.
2. Complies with ANSI S117.1 Accessible and Usable Buildings and Facilities, ASTM F2285-04 (formerly ASTM PS125) Standard Consumer Safety Performance Specification for Diaper Changing Tables for Commercial Use, ANSI Z535.4 Product Safety Signs and Labels, German TUV Technical Inspection Association, ASTM G21 Antifungal and ASTM G22 Antibacterial Standards, ADA Accessibility Standards for height, reach, projection, operation, overlap wheelchair turning radius.
3. Changing surface is smooth and concave providing both comfort for the baby as well as maintenance cost containment with the absence of pinch points, crevices and other dust and dirt collection areas.
4. Constructed of high-density polyethylene with exclusive Microban antimicrobial product protection.
5. Replaceable nylon safety straps, hooks for bags and purses.
6. All Baby Changing Station models equipped with built-in Sanitary Bed Liner Dispensers.



**KB110-SSRE HORIZONTAL, RECESSED MOUNTED**

18-gauge, type 304 satin stainless steel exterior finish with molded grey polyethylene interior. Unit 37" W x 23" H (940 x 585mm). Depth (closed) 3/4" (20mm). Extension (open) 15 1/4" (385mm). Rough Wall Opening: 35 1/2" W x 20 1/2" H (900 x 520mm), 4" (100mm) min. depth. Patented.

**BABY CHANGING STATION AND CHILD PROTECTION SEAT BARRIER-FREE WASHROOM GUIDELINES:**

Baby Changing Stations and Child Protection Seats shall be installed with top of unit no more than 48" (1220mm), and changing bed or seat no more than 34" (865mm) above finish floor. Units shall operate (open and close) with one hand and less than 5 pounds of force (22.2 N). When closed units shall protrude no more than 4" (100mm) from wall.



**KB110-SSWM HORIZONTAL, WALL-MOUNTED**  
18-gauge, type 304 satin stainless steel exterior finish with molded grey polyethylene interior. Unit 35 3/4" W, 20" H (890 x 510mm). Depth (closed) 4" (100mm). Extension (open) 19 3/4" (490mm). Patented.



**KB102-00 CHILD PROTECTION SEAT, WALL-MOUNTED**  
Polyethylene seat and back, cream color. Unit 12 3/4" W x 18 3/4" H (310 x 475mm). Depth (closed) 5 5/8" (145mm). Extension (open) 12 1/2" (315mm). Patented.



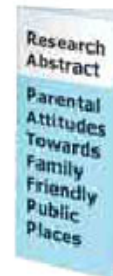
**KB100-00 HORIZONTAL, WALL-MOUNTED** **ST**  
Polyethylene cabinet and bed, cream color. Unit 35 3/4" W x 20" H (895 x 510mm). Depth (closed) 4" (100mm). Extension (open) 19 3/4" (490mm). Patented.



**KB150-99 SANITARY BED LINERS**  
Large 13" W x 19" H (330 x 485mm), 3-ply biodegradable, 500 liners per case.



**KB101-00 VERTICAL, WALL-MOUNTED**  
Polyethylene cabinet and bed, cream color. Unit 22" W x 35 1/2" H (560 x 900mm). Depth (closed) 5 3/4" (135mm). Extension (open) 35" (890mm). Patented.



**NATIONWIDE STUDY PROVES CLEANER, SAFER CHILD ACCOMMODATIONS TURN SMALL CUSTOMERS INTO BIGGER SALES.**

Patrons visit family friendly establishments more often and spend more time and money. The major factors are sanitation maintenance, child safety and comfort. These are the findings of an independent, nationwide study of parents with children conducted as a public service for the architectural, construction and building owner community. Findings have been published in Koala's Research Abstract available to members of the trade on a complimentary basis; telephone Koala Consumer Research (877) 284-4863.

Distributed by  
[www.PandaProducts.com](http://www.PandaProducts.com)  
Phone: (800) 608-6568  
Fax: (409) 840-5545  
[info@pandaproducts.com](mailto:info@pandaproducts.com)





# S Standard Use Buildings

Distributed by  
[www.PandaProducts.com](http://www.PandaProducts.com)  
Phone: (800) 608-6568  
Fax: (409) 840-5545  
[info@pandaproducts.com](mailto:info@pandaproducts.com)





# Product Selection Guide

## **P** PRESTIGE BUILDINGS

### TOILET PARTITIONS:

- 1040** DesignerSeries™ Plastic Laminate Toilet Partitions with Concealed Stainless Steel Hardware

### GRAB BARS:

- B-5806** Concealed Mounted Grab Bars – 1 3/4" diameter  
**B-6806** Concealed Mounted Grab Bars – 1 1/2" diameter

### MIRRORS:

- B-290** Welded-Frame Mirrors

### COMBINATION PAPER TOWEL DISPENSERS AND WASTE RECEPTACLES:

- B-4369** ConturaSeries Surface-Mounted Paper Towel Dispenser/Waste Receptacle  
**B-43944** ConturaSeries Recessed Paper Towel Dispenser/Waste Receptacle  
**B-43949** ConturaSeries Surface-Mounted Paper Towel Dispenser/Waste Receptacle

### PAPER TOWEL DISPENSERS:

- B-4262** ConturaSeries Surface-Mounted Paper Towel Dispenser  
**B-4362** ConturaSeries Recessed Paper Towel Dispenser

### WASTE RECEPTACLES:

- B-277** ConturaSeries Surface-Mounted Waste Receptacle  
**B-43644** ConturaSeries Recessed Waste Receptacle

### SANITARY NAPKIN/TAMPON VENDORS AND DISPOSALS:

- B-43500** ConturaSeries Recessed Sanitary Napkin/Tampon Vendor  
**B-4354** ConturaSeries Recessed Napkin/Tampon Waste Receptacle  
**B-270** ConturaSeries Surface-Mounted Napkin/Tampon Waste Receptacle

### TOILET SEAT COVER DISPENSERS:

- B-4221** ConturaSeries Surface-Mounted Seat Cover Dispenser

### SOAP DISPENSERS:

- B-4112** ConturaSeries Surface-Mounted Soap Dispenser  
**B-4063** ConturaSeries Recessed Soap Dispenser  
**B-822** Lavatory-Mounted Soap Dispenser  
**B-8221** Lavatory-Mounted Soap Dispenser  
**B-8226** Lavatory-Mounted Soap Dispenser

### TOILET TISSUE DISPENSERS:

- B-4288** ConturaSeries Surface-Mounted Toilet Tissue Dispenser  
**B-4388** ConturaSeries Recessed Toilet Tissue Dispenser

### BABY CHANGING STATIONS:

- KB110-SSRE** Koala Kare® Products Horizontal Recessed Baby Changing Station with Stainless Steel Finish

### HAND DRYERS:

- B-740** Eclipse Surface-Mounted Warm Air Hand Dryer  
**B-750** AirCraft Recessed Warm Air Hand Dryer

### SHOWER ACCESSORIES:

- B-517** Folding Padded Shower Seat, Right-Hand Seat  
**B-518** Folding Padded Shower Seat, Left-Hand Seat  
**B-6107** ClassicSeries Heavy-Duty Shower Curtain Rods

## **S** STANDARD USE BUILDINGS

### TOILET PARTITIONS:

- 1542** ClassicSeries Plastic Laminate Overhead-Braced Toilet Partitions with Zamak Hardware

- 1542.64** ClassicSeries Plastic Laminate Overhead-Braced Toilet Partitions with Stainless Steel Hardware

### GRAB BARS:

- B-5806** Concealed Mounted Grab Bars – 1 3/4" diameter  
**B-6806** Concealed Mounted Grab Bars – 1 1/2" diameter

### MIRRORS:

- B-165** Channel-Frame Mirrors

### COMBINATION PAPER TOWEL DISPENSERS AND WASTE RECEPTACLES:

- B-369** ClassicSeries Recessed Paper Towel Dispenser/Waste Receptacle  
**B-3699** ClassicSeries Surface-Mounted Paper Towel Dispenser/Waste Receptacle  
**B-3942** ClassicSeries Semi-Recessed Convertible Paper Towel Dispenser/Waste Receptacle  
**B-3944** ClassicSeries Recessed Convertible Paper Towel Dispenser/Waste Receptacle  
**B-3949** ClassicSeries Surface-Mounted Convertible Paper Towel Dispenser/Waste Receptacle

### PAPER TOWEL DISPENSERS:

- B-262** ClassicSeries Surface-Mounted Paper Towel Dispenser  
**B-2621** ClassicSeries Surface-Mounted Paper Towel Dispenser  
**B-359** ClassicSeries Recessed Paper Towel Dispenser

### WASTE RECEPTACLES:

- B-279** ClassicSeries Surface-Mounted Waste Receptacle  
**B-3644** ClassicSeries Recessed Waste Receptacle

### SANITARY NAPKIN/TAMPON VENDORS AND DISPOSALS:

- B-282 25** ClassicSeries Surface-Mounted Sanitary Napkin/Tampon Vendor  
**B-352 25** ClassicSeries Recessed Sanitary Napkin/Tampon Vendor  
**B-270** Surface-Mounted Sanitary Napkin Disposal

### TOILET SEAT COVER DISPENSERS:

- B-221** ClassicSeries Surface-Mounted Seat-Cover Dispenser

### SOAP DISPENSERS:

- B-2111** ClassicSeries Surface-Mounted Soap Dispenser  
**B-2112** ClassicSeries Surface-Mounted Soap Dispenser  
**B-822** Lavatory-Mounted Soap Dispenser

### TOILET TISSUE DISPENSERS:

- B-2888** ClassicSeries Surface-Mounted Multi-Roll Toilet Tissue Dispenser  
**B-3888** ClassicSeries Recessed Multi-Roll Toilet Tissue Dispenser  
**B-386** Partition-Mounted Dual-Sided Toilet Tissue Dispenser

### BABY CHANGING STATIONS:

- KB100-00** Koala Kare Products Horizontal Wall-Mounted Baby Changing Station

### HAND DRYERS:

- B-740** Eclipse Surface-Mounted Warm Air Hand Dryer

### SHOWER ACCESSORIES:

- B-5181** Reversible Folding Shower Seat  
**B-5191** Folding Shower Seat  
**B-6107** ClassicSeries Heavy-Duty Shower Curtain Rods

Distributed by  
**www.PandaProducts.com**  
Phone: (800) 608-6568  
Fax: (409) 840-5545  
info@pandaproducts.com

**BOBRICK**



# Product Selection Guide

## T HEAVY TRAFFIC BUILDINGS

### TOILET PARTITIONS:

**1082/1092** DuraLineSeries®/SierraSeries® Overhead-Braced Toilet Partitions with Stainless Steel Hardware

### GRAB BARS:

**B-5806** Concealed Mounted Grab Bars – 1 1/4" diameter  
**B-6806** Concealed Mounted Grab Bars – 1 1/2" diameter

### MIRRORS:

**B-2908** Welded-Frame Mirrors with Tempered Glass

### COMBINATION PAPER TOWEL DISPENSERS AND WASTE RECEPTACLES:

**B-3961** ClassicSeries Recessed Convertible Roll Paper Towel Dispenser/Waste Receptacle

### PAPER TOWEL DISPENSERS:

**B-2860** Surface-Mounted Roll Paper Towel Dispenser

### WASTE RECEPTACLES:

**B-2400** Floor-Standing Large-Capacity Waste Receptacle

### SANITARY NAPKIN/TAMPON VENDORS AND DISPOSALS:

**B-282 25** ClassicSeries Surface-Mounted Sanitary Napkin/Tampon Vendor  
**B-352 25** ClassicSeries Recessed Sanitary Napkin/Tampon Vendor  
**B-254** ClassicSeries Surface-Mounted Sanitary Napkin Disposal  
**B-353** ClassicSeries Recessed Sanitary Napkin Disposal  
**B-354** ClassicSeries Partition-Mounted Sanitary Napkin Disposal

### TOILET SEAT COVER DISPENSERS:

**B-301** ClassicSeries Recessed Seat-Cover Dispenser  
**B-221** ClassicSeries Surface-Mounted Seat-Cover Dispenser

### SOAP DISPENSERS:

**B-2112** ClassicSeries Surface-Mounted Soap Dispenser  
**B-822** Lavatory-Mounted Soap Dispenser  
**B-830** SureFlo Soap System

### TOILET TISSUE DISPENSERS:

**B-2892** ClassicSeries Surface-Mounted Twin Jumbo-Roll Toilet Tissue Dispenser  
**B-2888** ClassicSeries Surface-Mounted Multi-Roll Toilet Tissue Dispenser  
**B-3888** ClassicSeries Recessed Multi-Roll Toilet Tissue Dispenser  
**B-386** Partition-Mounted Dual-Sided Toilet Tissue Dispenser

### BABY CHANGING STATIONS:

**KB100-00** Koala Kare Products Horizontal Wall-Mounted Baby Changing Station

### HAND DRYERS:

**B-708** AirGuard Surface-Mounted Warm Air Hand Dryer  
**B-740** Eclipse Surface-Mounted Warm Air Hand Dryer

### SHOWER ACCESSORIES:

**B-5181** Reversible Folding Shower Seat  
**B-5191** Folding Shower Seat  
**B-6047** ClassicSeries Extra-Heavy-Duty Shower Curtain Rods

### PRODUCT WARRANTIES:

The following Bobrick products are warranted to be free from defects in workmanship and material under normal usage from the date of purchase for the periods set forth below. (Rust and discoloration to stainless steel parts resulting from exposure to harsh environmental and/or chemical conditions are not considered to be defects in workmanship or material and there is no express or implied warranty for such condition. Refer to Bobrick Advisory Bulletin TB-21, Effective Ways to Clean Stainless Steel.)

Washroom Accessories/Soap Dispensers	Limited Warranty
ConturaSeries Washroom Accessories Soap Dispensers	3 years
B-306, B-4063, B-4112, B-822 Series, B-826	3 years
B-830 SureFlo Soap System Soap Pumps	Lifetime warranty provided Bobrick SureFlo Soap is used exclusively with this product

The following Bobrick mirrors are warranted against silver spoilage from the date of purchase for the periods set forth below:

Mirrors	Limited Warranty
B-290, B-2908, B-292 Series	15 years
B-165, B-1658, B-166 Series	10 years

The following Bobrick hand dryers are warranted to be free from defects in workmanship and material under normal usage from the date of purchase for the periods set forth below:

Hand Dryers	Limited Warranty
B-700, B-7007, B-731, B-750, B-7507 AirCraft B-740, B-748 Eclipse B-708 AirGuard	Motor brushes for 3 years; all other parts for 10 years
B-709 AirPro	Motor brushes for 3 years; all other parts for 5 years
B-710 Compac B-705 Cub	1 year

Koala Kare products are backed by a five-year limited liability warranty to be free of defects in workmanship and material, and a five-year replacement policy against vandalism.

### OTHER PRODUCTS:

Bobrick washroom accessories not listed above are warranted to be free from defects in workmanship and material under normal usage service for one year from the date of purchase.

### LIMITATIONS ON WARRANTIES:

In all instances, the purchaser's exclusive remedy against Bobrick is for the repair or replacement, at Bobrick's option, of warranted defective products or parts. Bobrick will also bear the cost of the purchaser's return of defective products or parts to Bobrick. Bobrick's warranties set forth above do not cover damage resulting from vandalism. No other remedy (including, but not limited to, damages for field labor charges, lost profits, lost sales, injury to persons or property or any other incidental or consequential losses) is available.

### PATENTS:

Bobrick products are protected under one or more of the following Patent Numbers: Australia: 1388224, 759452, 755067, 308253, 119406; Brazil: D1 58021893; Canada: 2342510, 2336003, 2309470, 2220402, 2196729, 1296148, 92305, 92304, 91501, 85550, 85356, 85191, 73046; Europe: 494430001; France: 926706, 916996, 460961/2/3, 32294045; Germany: M9008240, M9007892.3, M9207590.8, M9207589.4, M9208131.5, M9208130.7, M9106618.2, 60080625.9; Hong Kong: 9700489.9, 9700489.7, 9700489.1, 9700488, 9700487.7, 9700486.5; Italy: 76451, 67001, 66879, 66877, 64502, 64352, 64351; Mexico: 232123, 229108, 224638, 223121, 228120, 170289, 13915, 11878, 11286, 11285, 8428, 6021; Singapore: DU2008/563, DU2008/562/1, DU2008/11/B, DU2008/10/F; Spain: 130441/0, 128187/4, 129186/8; Switzerland: 120159, 119886; United Kingdom: 2091213, 2026406, 2026405, 2026390, 2022641, 2022640, 1088647, 1067441; United States: 7082351, 6502721, 6448411, 6276027, 6266509, 6131771, 6129045, 6119201, 6032819, 5988454, 5987677, 5927805, 5906015, 5887762, 5871113, 5690011, 5692414, 5476197, 5470099, 5377908, 5332286, 5261619, 5226625, 5167345, 4973343, 4949677, 4834404, 4459131, 4441139, 4436344, 4426412, 4425253, 4420764, 4416726, 4415867, 4413419, 4401708, 4401039, 4388678, 4387950, 4387958, 4387229, 4386027, 4385445, 4381818, 4376920, 4365449, 4364059, 4333923, 4326581. Other patents pending.

Distributed by  
**www.PandaProducts.com**  
 Phone: (800) 608-6568  
 Fax: (409) 840-5545  
 info@pandaproducts.com





**BOBRICK**

BUILDING VALUE SINCE 1908

Distributed by  
[www.PandaProducts.com](http://www.PandaProducts.com)  
Phone: (800) 608-6568  
Fax: (409) 840-5545  
[info@pandaproducts.com](mailto:info@pandaproducts.com)



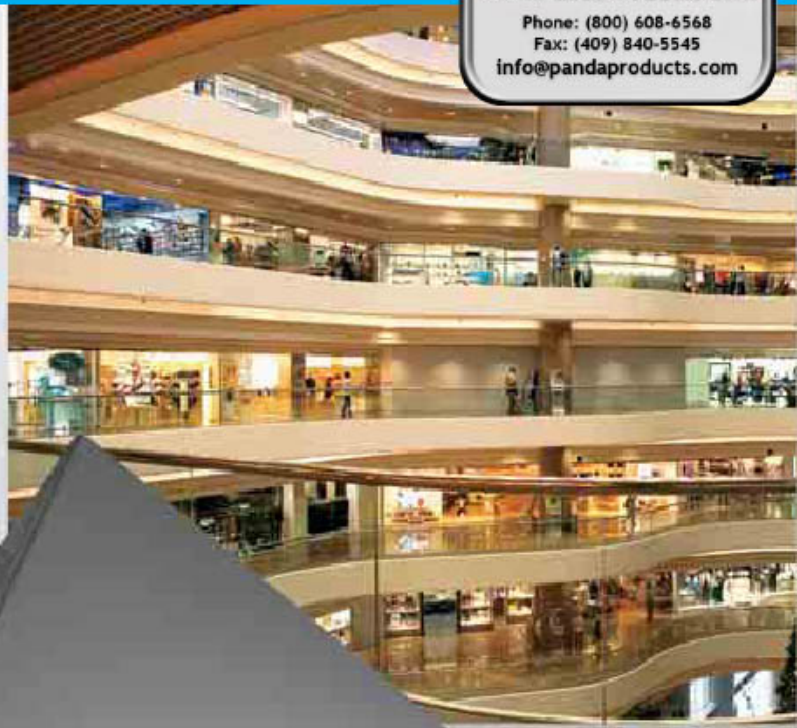
Distributed by  
[www.PandaProducts.com](http://www.PandaProducts.com)  
Phone: (800) 608-6568  
Fax: (409) 840-5545  
[info@pandaproducts.com](mailto:info@pandaproducts.com)

## HEAVY TRAFFIC BUILDINGS T

K-12 Schools  
Retail Malls  
Amusement, Recreation  
Transportation Centers

### Restroom Usage and Accessory Requirements:

Periods of extreme traffic flows  
Vandal-prone use and abuse  
Equipment durability over design  
Extra-large capacities





## THE PRUDENT PROPERTY MANAGER'S BOTTOM LINE IS TWO SHADES OF GREEN

### Being Green and Seeing Green

Bobrick has been an environmentally-sensitive manufacturer for decades. And, during the past several years the architectural profession, construction industry and property facilities management have positively supported sustainable design and environmental responsibility, creating a Green culture.

Motivations to plan and build Green include the reduction of operating costs, tax advantages, social responsibility and positive public relations. By way of example, K-12 schools are raising awareness of conservation and sustainability among our youth.

### Restroom Accessories

The Contura, TrimLine and Classic restroom accessory series and hundreds of specialty products are crafted of 50%–70% post-industrial recycled stainless steel.



Soap dispensers accommodate non-proprietary, bulk-packaged, universal soaps that eliminate non-biodegradable plastic cartridges, unnecessary landfill disposal, and long-term purchasing agreements.



Hand dryers eliminate paper towels, paper towel disposal and save 95% of the cost of drying hands.

Robust equipment avoids early replacement.

### Technical Bulletins

TB-77 SierraSeries LEED Certification Program • TB-87 Toilet Partition Material LEED Information Program • TB-88 Washroom Accessories LEED Information • TB-89 GREENGUARD® Toilet Partition Material Certification Information

### Toilet Partitions

Plastic Laminate, Solid Phenolic, and SCRC toilet partition materials have been GREENGUARD® Indoor Air Quality Certified by the GREENGUARD Environmental Institute under the GREENGUARD standard for Low-Emitting Products.

SCRC toilet partitions are crafted of 30% recycled content and regional and low-emitting materials.

50%–70% post industrial recycled stainless steel toilet partition hardware.



### Family Friendly Products

Baby Changing Stations crafted of 50% recycled polyethylene and stainless steel; and fabricated with Microban® antimicrobial product protection.



# Table of Contents

<b>NUMERICAL PRODUCT INDEX</b>	9
<b>WASHROOM ACCESSORIES:</b>	
Combination Towel/Waste Units bobrick.com/CombinationTowelWasteUnits	10
Paper Towel Dispensers bobrick.com/PaperTowelDispensers	14
Waste Receptacles bobrick.com/WasteReceptacles	17
Sanitary Napkin/Tampon Vendors bobrick.com/SanitaryNapkinTamponVendors	20
SureFlo® Soap Dispensing System bobrick.com/SureFloSoapDispensingSystem	21
Lavatory-Mounted Soap Dispensers bobrick.com/LavatoryMountedSoapDispensers	22
Soap Dispensers bobrick.com/SoapDispensers	23
Mirrors bobrick.com/Mirrors	26
Warm-Air Hand Dryers bobrick.com/WarmAirHandDryers	28
<b>TOILET COMPARTMENT ACCESSORIES:</b>	
Toilet Tissue Dispensers bobrick.com/ToiletTissueDispensers	30
Toilet Compartment Accessories bobrick.com/ToiletCompartmentAccessories	34
Sanitary Napkin Disposals bobrick.com/SanitaryNapkinDisposals	35
Toilet Seat Cover Dispensers bobrick.com/ToiletSeatCoverDispensers	37
Grab Bars bobrick.com/GrabBars	38
<b>SPECIALTY PRODUCTS:</b>	
Bathroom Accessories bobrick.com/BathroomAccessories	39
Shower/Tub Accessories bobrick.com/ShowerTubAccessories	42
Hooks/Shelves/Custodial Accessories bobrick.com/HooksShelvesCustodialAccessories	44
Healthcare Accessories bobrick.com/HealthcareAccessories	47
Koala Kare Child Care Products bobrick.com/KoalaKareChildCareProducts	48
Product Selection Guide	50
Warranties/Patents	51

## **BARRIER-FREE WASHROOM PLANNING GUIDE**

For a complimentary copy of Bobrick's Barrier-Free Washroom Planning Guide and Wheelchair Maneuverability Drawing Template, please telephone (800) 553-1600 or visit [www.bobrick.com](http://www.bobrick.com).

Distributed by  
**www.PandaProducts.com**  
Phone: (800) 608-6568  
Fax: (409) 840-5545  
[info@pandaproducts.com](mailto:info@pandaproducts.com)

# Numerical Product Index

MODEL NO.	PAGE NO.										
		B-263	15	B-352 25	20	B-4262	14	B-669	30	B-750	28
		B-264	33	B-353	35	B-4288	31	B-6697	30	B-7507	28
B-132	25	B-265	33	353-12	36	B-43500	20	B-6699	32	7600 Series	39-45
B-155	24	B-270	36	B-35303	35	B-43500X2	20	B-66997	32	B-7636	43
B-1556 Series	27	270-12	36	B-354	35	B-435009	20	B-670	44	B-7671	44
B-156	24	B-272	33	B-355	41	B-4353	35	B-6707	44	B-76717	44
B-165 Series	26	B-273	32	B-3552	41	B-4354	35	B-671	44	B-7672	44
B-1658 Series	27	B-2730	32	B-357	34	B-4362	14	B-6717	44	B-76727	44
B-166 Series	26	B-274	32	B-3571	34	B-43644	17	B-672	44	B-7673	40
B-2014	24	B-2740	32	B-3574	34	B-4369	13	B-6727	44	B-76737	40
2041	42	B-2746	32	B-3579	34	436922	10	B-673	40	B-7674	40
2042	42	B-27460	32	B-359	14	B-43699	13	B-6737	40	B-76747	40
2043	42	B-275	18	B-35903	14	B-4380	43	B-674	40	B-7676	40
B-207	42	275-14	17	B-3644	17	B-4388	30	B-6747	40	B-76767	40
B-211	45	B-277	17	367-60	11	B-4390	43	B-676	40	B-7679	39
B-2111	24	B-279	18	368-16	10	B-43944	10	B-677	44	B-76797	39
2111-79	23	279-14	17	368-60	11	B-43949	10	B-6777	44	B-7680	39
B-2112	24	B-2800	20	B-369	13	B-4968	38	B-680	39	B-76807	39
B-2116	45	B-2800X2	20	B-36903	13	B-505	47	B-6806 Series	38	B-7681	39
B-212	44	B-282 25	20	B-3699	13	B-5050	25	B-6807	39	B-7682	45
B-221	37	283-604	32	B-3803	12	B-517	43	B-68137	38	B-76827	45
B-223	47	B-2840	33	B-38032	12	B-518	43	B-682	45	B-7685	33
B-224	47	B-2860	15	B-38034	12	B-5181	43	B-6827	45	B-76857	33
B-2250	18	B-287	46	B-380349	12	B-5191	43	B-683	40	B-7686	33
22503	17	B-2888	31	B-386	31	B-5221	37	B-685	33	B-76867	33
B-2280	19	B-2890	31	B-38616	14	B-526	16	B-6857	33	B-81212	21
22703	17	B-2892	31	B-3888	30	B-5262	15	B-686	33	B-81312	21
B-2280	19	B-290 Series	26	B-39003	12	526225	15	B-6861	38	B-822	22
B-2300	19	B-2908 Series	27	B-390034	12	B-5270	36	B-68616	38	B-8221	22
B-232	46	B-292 Series	26	B-3942	11	B-5277	18	B-6867	33	B-82216	22
B-233	45	B-293 Series	27	B-3944	11	5277-12	17	B-687	40	B-8226	22
B-235	16, 47	B-294 Series	27	3944-12	10, 17	B-52860	16	B-6897	38	B-826	22
B-239	47	B-295	46	3944-52	11	B-5288	32	B-697	30	B-830	21
B-240	19	B-296	46	B-3947	11	B-52891	32	B-6977	30	B-8397	41
B-2400	19	B-297	42	B-3949	11	B-529	19	B-699	30	B-942	27
2514	38	B-298	46	B-396034	12	B-530	41	B-6997	30	B-973	39
25230	38	B-299	42	B-3961	11	B-5806 Series	38	B-6999	32	B-981	46
2521-30	38	B-301	37	3961-50	11	B-5837	38	B-69997	32	B-983	45
252230	38	B-3013	37	B-39617	11	B-58616	38	B-700	28	B-985	46
B-253	16	B-306	23	B-39619	11	B-5897	38	B-7007	28	KB100-00	49
B-254	36	B-3094	36	B-397	42	B-60	25	B-705	29	KB101-00	49
2583	38	B-318	15	B-398	42	B-6047	42	B-708	28	KB102-00	49
2586	38	B-347	34	B-40	25	B-6107	42	B-709	29	KB110-SSRE	48
B-261	18	B-3471	34	B-4063	23	B-633	47	B-710	29	KB110-SSWM	49
B-262	15	B-3474	34	B-4112	24	B-663	30	B-72860	16	KB150-99	49
B-2620	15	B-3479	34	4112-79	23	B-6637	30	B-731	28		
B-2621	15	B-3500	20	B-42	25	B-667	30	B-740	28		
B-26212	15	B-3500X2	20	B-4221	37	B-6677	30	B-748	28		